



**S.A.F.F.A. s.r.l.**

Via Roma n. 1/b  
15039 Ozzano Monferrato (AL) – ITALY  
Tel. ++39 - 0142487183 – Fax ++39 - 0142487083  
E-mail : [uffcomm@saffa.it](mailto:uffcomm@saffa.it)  
<http://www.saffa.it>

## **KITS FRIZIONI E FRIZIONI CONICHE PER MOTOCOLTIVATORI**

*Clutch kits and conic clutches for motor - growes*



**EDIZIONE 7**

| MARCA E MODELLO                     | MECCANISMO          | Ø               | DISCO       | CUSCINETTO      | RIF.KIT         |
|-------------------------------------|---------------------|-----------------|-------------|-----------------|-----------------|
| <i>Make and Model</i>               | <i>Clutch plate</i> | CAVE<br>SPLINES | <i>Disc</i> | <i>Bearings</i> | <i>Kit Ref.</i> |
| <b>ADRIATICA MACCHINE</b>           |                     |                 |             |                 |                 |
| MINIMEC - SUPERMEC 14 HP            | FN 081              | 140/20          | 943         | CR 1130/25      | KA 0200         |
| MASTERMEC L2-R2-S2 1 SERIE          | FN 092.1            | 180/20          | 1325        | CR 850          | KA 0202         |
| MASTERMEC L2-R2-S2 2 SERIE          | FN 395              | 180/20          | 1325        | CR 850          | KA 0203         |
| TRATTORINO 845                      | FN 109              | 215/20          | 3606        | CR 850          | KA 0204         |
| <b>AGRIA</b>                        |                     |                 |             |                 |                 |
| DUMPER DH - 15                      | FN 089              | 187/10          | 812         | CR 1139         | KA 0205         |
| <b>AGRIFULL</b>                     |                     |                 |             |                 |                 |
| TRATTORI 68 E DERIVATI              | FN 089              | 187/10          | 812         | CR 1139         | KA 0205         |
| TRATTORI 230 E DERIVATI             | FN 104              | 200/10          | 3394        |                 | KA 0207         |
| TRATTORI 68 - 78 E DERIVATI         | FN 107              | 215/10          | 1089        | CR 1409         | KA 0208         |
| <b>ANTONELLI</b>                    |                     |                 |             |                 |                 |
| TRATTORE                            | 3018                | 170/20          | 4187        | CR 1106         | KA 0352         |
| TRANSPORTER AGRI 18 HP              | FN 089.1            | 184/20          | 304         | CR 1139         | KA 0209         |
| TRANSPORTER AGRELLA                 | FN 107              | 215/20          | 732         | CR 1139         | KA 0210         |
| <b>AZZOLINI</b>                     |                     |                 |             |                 |                 |
| CARRELLO ELEVATORE RI/E 10 RI/P     | FN 089              | 187/10          | 200         | CR 1139         | KA 0211         |
| CARRELLO ELEVATORE RI/E 15 A 610    | FN 107              | 215/10          | 402         | CR 1409         | KA 0212         |
| CARRELLO ELEVATORE A 520 - A 525    | FN 301              | 250/10          | 947         | CR 1302         | KA 0213         |
| <b>BARALDI</b>                      |                     |                 |             |                 |                 |
| MOTOCOLTIVATORE ERCOLINO            | FN 089              | 187/10          | 812         | CR 1139         | KA 0205         |
| FB 500/3                            | FN 107.5            | 215/10          | 402         | CR 1409         | KA 0216         |
| <b>BARBIERI</b>                     |                     |                 |             |                 |                 |
| PIONEER - LEOPARD                   | FN 1603             | 160/10          | 1224        | CR 857          | KA 0357         |
| TRATTORINI PANTHER DELFINO          | FN 089.2            | 187/10          | 857         | CR 1139         | KA 0217         |
| TRATTORINO FURIA - SERIE 3500 2RM   | FN 089.1            | 187/13          | 3607        | CR 1139         | KA 0218         |
| TRATTORINO FURIA - SERIE 3500 4RM   | FN 108              | 215/13          | 3612        | CR 1139         | KA 0219         |
| <b>BCS</b>                          |                     |                 |             |                 |                 |
| MOTOCOLTIVATORE 705                 | FN 1603/1           | 155/6           | 1345        | CR 857          | KA 0350         |
| <b>BENATI</b>                       |                     |                 |             |                 |                 |
| PALA BEN SUPER 55/1 - SUPER 50      | FN 154.3            | 280/10          | 804         |                 | KA 0221         |
| PALA                                | FN 154              | 280/10          | 1241        | CR 1302         | KA 0222         |
| <b>BERTOLINI</b>                    |                     |                 |             |                 |                 |
| MOTOCOLTIVATORE 315                 | FN 081.1            | 140/20          | 1287        | CR 1130/25      | KA 0223         |
| MOTOCOLTIVATORE 310 S               | FN 083              | 160/20          | 3611        | CR 850          | KA 0225         |
| MOTOCOLTIVATORE 318<br>MOTOAGRICOLA | FN 083              | 160/20          | 1418        | CR 850          | KA 0358         |
| 421 DIESEL 1C-424-431-432 DIESEL 2C | FN 092.1            | 180/20          | 977         | CR 850          | KA 0226         |
| 450 DIESEL 3 CILINDRI               | FN 092.2            | 180/20          | 977         | CR 850          | KA 0227         |
| MOTOCOLTIVATORE BM 10               | FN 1603             | 155/10          | 1028        | CR 1130/25      | KA 0343         |
| MOTOCOLTIVATORE BM12                | FN 089.3            | 187/10          | 1022        | CR 1139         | KA 0228         |
| TRATTORINO 320                      | FN 092.3            | 180/13          | 3610        |                 | KA 0344         |
| TRATTORINO 530 - 533                | FN 109              | 215/13          | 3612        | CR 1137         | KA 0229         |
| <b>BERZOINI</b>                     |                     |                 |             |                 |                 |
| CARRELLO ELEVATORE BVS 10           | FN 107              | 215/10          | 925         | CR 1139         | KA 0230         |
| CARRELLO ELEVATORE BVS 15 1S        | FN 301              | 250/10          | 948         | CR 1302         | KA 0231         |
| CARRELLO ELEVATORE BVS 15 2S        | FN 154              | 280/10          | 804         | CR 1302         | KA 0232         |

| MARCA E MODELLO                     | MECCANISMO          | Ø               | DISCO       | CUSCINETTO      | RIF.KIT         |
|-------------------------------------|---------------------|-----------------|-------------|-----------------|-----------------|
| <i>Make and Model</i>               | <i>Clutch plate</i> | CAVE<br>SPLINES | <i>Disc</i> | <i>Bearings</i> | <i>Kit Ref.</i> |
| <b>BREMACH</b>                      |                     |                 |             |                 |                 |
| MOTOCARRO                           | FN 107.1            | 215/10          | 402         | CR 1139         | KA 0233         |
| <b>CARON</b>                        |                     |                 |             |                 |                 |
| TRANSPORTER C 12                    | FN 1603/1           | 160/20          | 1418        | CR 857          | KA 0359         |
| TRANSPORTER MC 20                   | FN 092.2            | 180/20          | 977         | CR 850          | KA 0227         |
| <b>CARRARO ANTONIO</b>              |                     |                 |             |                 |                 |
| TIGRE 2600                          | FN 093              | 180/20          | 2629        | CR 1134         | KA 0356         |
| TIGRE 2800                          | FN 088              | 160/20          | 1418        | CR 1134         | KA 0236         |
| TIGRE RS TIGROTTO RS                | FN 088              | 160/20          | 051         | CR 1134         | KA 0237         |
| TIGRE - SCARABEO                    | FN 1602             | 160/10          | 1030        |                 | KA 0360         |
| 3400 - 3600 - SUPER TIGRE - TIGRONE | FN 092              | 180/10          | 1127        | CR 1425/33      | KA 0238         |
| 4000 - SUPER TIGRE - TIGRONE        | FN 234              | 200/10          | 1183        | CR 1425/33      | KA 0239         |
| 4000 (mot. VM)                      | FN 234              | 200/18          | 5003        |                 | KA 0361         |
| SUPER TIGRE - TIGRONE 4800          | FN 119/1            | 215/10          | 1486        | CR 1425/36      | KA 0240         |
| TIGRONE 5500                        | FN 119/1            | 215/18          | 4047        | CR 1425/36      | KA 0354         |
| 7500                                | FN 380              | 250/18          | 4045        | CR 1426/38      | KA 0353         |
| <b>CARRARO SPA</b>                  |                     |                 |             |                 |                 |
| CARRO 230 - 300 - 350               | FN 107              | 215/6           | 879 BIS     |                 | KA 0242         |
| CARRO 230 - 300 - 350 (2 SERIE)     | FN 107              | 215/10          | 960         |                 | KA 0243         |
| TRATTORE 450 MAYOR EXPORT           | FN 301              | 250/10          | 690         |                 | KA 0244         |
| TRATTORE 4500 - 5000                | FN 154              | 280/10          | 969         |                 | KA 0245         |
| <b>COMET OPERA</b>                  |                     |                 |             |                 |                 |
| DUMPER COES - MARCUS                | FN 089              | 187/10          | 812         | CR 1139         | KA 0205         |
| DUMPER COES - LAMBRUS COES          | FN 107              | 215/10          | 925         | CR 1139         | KA 0230         |
| SUPREMO COES (cambio HURT)          | FN 301              | 250/10          | 1330        | CR 1302         | KA 0248         |
| DUMPER COES - SUPREMO COES          | FN 301              | 250/10          | 803         | CR 1302         | KA 0249         |
| AUTOBETONIERA BIG 25                | FN 154              | 280/10          | 1011        | CR 1302         | KA 0250         |
| <b>DIECI F.LLI</b>                  |                     |                 |             |                 |                 |
| DUMPER DP 900/1800 - DP 1200/1900   | FN 089              | 187/10          | 928         | CR 1139         | KA 0251         |
| DUMPER GD 1200 1600 2000            | FN 107              | 215/10          | 925         | CR 1139         | KA 0230         |
| DUMPER GD 1200 1600 (cambio HURT)   | FN 107              | 215/10          | 1089        | CR 1409         | KA 0208         |
| AUTOBETON. 1200 1500 (cambio EME)   | FN 301              | 250/10          | 948         | CR 1302         | KA 0231         |
| AUTOBETON. 1200 1500 (cambio HURT)  | FN 301              | 250/10          | 1330        | CR 1302         | KA 0248         |
| <b>DISALCAR</b>                     |                     |                 |             |                 |                 |
| TRANSPORTER 20 HP                   | FN 089              | 187/20          | 977         | CR 1138         | KA 0256         |
| TRANSPORTER 20 HP                   | FN 089              | 187/20          | 977         | CR 1139         | KA 0257         |
| TRANSPORTER 30 HP                   | FN 107.1            | 215/20          | 3606        | CR 1141         | KA 0258         |
| TRANSPORTER 30 HP                   | FN 107              | 215/20          | 3606        | CR 1141         | KA 0259         |
| <b>ERREPI</b>                       |                     |                 |             |                 |                 |
| MOTOCOLTIVATORE                     | FN 088              | 160/20          | 4186        | CR 850          | KA 0362         |
| <b>EUROSMEC</b>                     |                     |                 |             |                 |                 |
| AUTOGRU 15 Q.LI (MOT.PERKINS)       | FN 301              | 250/10          | 803         | CR 1302         | KA 0260         |
| AUTOGRU 20 Q.LI (MOT. PERKINS 352)  | FN 154              | 280/10          | 804         | CR 1302         | KA 0232         |
| <b>F. &amp; M. MATRAS</b>           |                     |                 |             |                 |                 |
| L 300                               | FN 061              | 160/10          | 1017        | CR 1130/25      | KA 0351         |
| <b>FENWICH</b>                      |                     |                 |             |                 |                 |
| F75 - F112 - F113 - F120            | FN 089              | 187/20          | 304         | CR 1139         | KA 0262         |
| F45 TURBO - F160 - F190             | FN 107              | 215/20          | 732         | CR 1139         | KA 0210         |



| MARCA E MODELLO                    | MECCANISMO          | Ø               | DISCO       | CUSCINETTO      | RIF.KIT         |
|------------------------------------|---------------------|-----------------|-------------|-----------------|-----------------|
| <i>Make and Model</i>              | <i>Clutch plate</i> | CAVE<br>SPLINES | <i>Disc</i> | <i>Bearings</i> | <i>Kit Ref.</i> |
| <b>FERRARI</b>                     |                     |                 |             |                 |                 |
| MOTOCOLTIVATORE 72 (1 serie)       | FN 081.1            | 140/20          | 1222        | CR 1130/25      | KA 0264         |
| MOTOCOLTIVATORE 72 (2 serie) - 72T | FN 1603             | 160/20          | 1418        | CR 857          | KA 0345         |
| MOTOCOLTIVATORE MC 64              | FN 081.1            | 140/6           | 975         |                 | KA 0267         |
| MOTOCOLTIVATORE 74 (1 serie)       | FN 092.1            | 180/20          | 977         | CR 850          | KA 0226         |
| TRATTORINO 76                      | FN 092.2            | 180/20          | 977         | CR 850          | KA 0227         |
| TRATTORINO 75 (2 serie)            | FN 093              | 180/20          | 977         |                 | KA 0270         |
| MOTOCOLTIVATORE MC 58 MC 60/2      | FN 089.1            | 187/10          | 996         | CR 1409         | KA 0271         |
| TRATTORINO MT 65                   | FN 107              | 215/10          | 993 BIS     | CR 1409         | KA 0272         |
| <b>FIAT</b>                        |                     |                 |             |                 |                 |
| 18 LA PICCOLA - 200 - 211R - 213R  | FN 089              | 187/10          | 812         | CR 1139         | KA 0205         |
| 25R - 25RS (TIPO A PEDALE)         | FN 107              | 215/10          | 209         | CR 1139         | KA 0274         |
| 250 - 300                          | FN 107              | 215/10          | 1068        | CR 1139         | KA 0275         |
| 311 - 312 - 315N (FRIZ. MONODISCO) | FN 107              | 215/10          | 209         | CR 1139         | KA 0274         |
| 350N                               | FN 301              | 250/10          | 309         | CR 1302         | KA 0283         |
| 400 - 411R - 415DT - 431R - 415    | FN 301              | 250/10          | 308         | CR 1302         | KA 0277         |
| <b>FIMA (EX ISOTTA F.)</b>         |                     |                 |             |                 |                 |
| RINGO                              | FN 061.1            | 160/10          | 3990        |                 | KA 0279         |
| <b>FIORIBETONDUMPERS</b>           |                     |                 |             |                 |                 |
| DUMPER 2TM DUMPER TORDO            | FN 089              | 187/10          | 986         | CR 1139         | KA 0280         |
| DUMPER FALCO                       | FN 089              | 187/10          | 200         | CR 1139         | KA 0211         |
| AUTOBETONIERA AIRONE 1500          | FN 301              | 250/10          | 1247        | CR 1302         | KA 0282         |
| AUTOBETONIERA AIRONE 2000/250      | FN 301              | 250/10          | 309         | CR 1302         | KA 0283         |
| <b>GOLDONI</b>                     |                     |                 |             |                 |                 |
| MOTOCOLTIVATORE MOD. 518 520 521   | FN 089.2            | 187/10          | 857         | CR 1139         | KA 0285         |
| MOTOCOLTIVATORE EXPORT             | FN 089.2            | 187/10          | 857         | CR 1132         | KA 0286         |
| MOTOCOLTIVATORE SUPER              | FN 089.3            | 187/10          | 1150        | CR 1139         | KA 0287         |
| MOTOCOLTIVATORE SPECIAL            | FN 1603             | 160/10          | 3626        | CR 857          | KA 0346         |
| UNIVERSAL 224 230 233 324 518T     | FN 089.4            | 187/10          | 857         | CR 1139         | KA 0288         |
| UNIVERSAL 236 238 240 828 834 1000 | FN 107.4            | 215/10          | 1333        | CR 1139         | KA 0289         |
| <b>GECOM (ICOM)</b>                |                     |                 |             |                 |                 |
| DUMPER DR 12                       | FN 089.1            | 187/10          | 1063        | CR 1139         | KA 0290         |
| PALA CARICATRICE L22               | FN 107              | 215/10          | 1235        | CR 1139         | KA 0291         |
| CARRELLO ELEVATORE I20D            | FN 154              | 280/10          | 931         | CR 1302         | KA 0292         |
| HT 1,5                             | FN 301              | 250/10          | 1330        | CR 1302         | KA 0248         |
| <b>IMER</b>                        |                     |                 |             |                 |                 |
| TRATTORINO SERIE 270               | FN 089              | 187/13          | 3633        | CR 1139         | KA 0294         |
| <b>ISOTTA FRASCHINI</b>            |                     |                 |             |                 |                 |
| MOTOCOLTIVATORE RINGO M10 M12      | FN 061.1            | 160/10          | 1145        |                 | KA 0295         |
| TRATTORINO RANGER                  | FN 089.1            | 187/10          | 1334        | CR 1138         | KA 0296         |
| <b>ITALMACCHINE</b>                |                     |                 |             |                 |                 |
| MASQUITO 06                        | FN 089              | 187/10          | 812         | CR 1139         | KA 0205         |
| MASQUITO 10                        | FN 107              | 215/10          | 209         | CR 1139         | KA 0274         |
| MASQUITO 15                        | FN 301              | 250/10          | 3826        | CR 1302         | KA 0282         |
| <b>ITALO SVIZZERA</b>              |                     |                 |             |                 |                 |
| RACCOGLIBIETOLE                    | FN 154.2            | 280/10          | 804         |                 | KA 0300         |

| MARCA E MODELLO                               | MECCANISMO          | Ø               | DISCO                 | CUSCINETTO      | RIF.KIT         |
|---|---------------------|-----------------|-----------------------|-----------------|-----------------|
| <i>Make and Model</i>                         | <i>Clutch plate</i> | CAVE<br>SPLINES | <i>Disc</i>           | <i>Bearings</i> | <i>Kit Ref.</i> |
| <b>ITMA EDILTER</b>                           |                     |                 |                       |                 |                 |
| SIRIO 4RM                                     | FN 107.6            | 215/10          | 209                   | CR 1138         | KA 0301         |
| A302 A322 30FL A35                            | FN 107.2            | 215/10          | 1089                  | CR 1409         | KA 0302         |
| A301 A352 A453 A503                           | FN 301              | 250/10          | 803                   | CR 1302         | KA 0260         |
| A553 A654                                     | FN 154.1            | 280/10          | 804                   |                 | KA 0304         |
| <b>LANDINI</b>                                |                     |                 |                       |                 |                 |
| R 3000  | FN 107              | 215/10          | 1089                  |                 | KA 0349         |
| <b>LAVERDA</b>                                |                     |                 |                       |                 |                 |
| M84 M92                                       | FN 107.3            | 215/10          | 1086                  | CR 1409         | KA 0306         |
| <b>MAB</b>                                    |                     |                 |                       |                 |                 |
| MOTOCOLTIVATORE TALPA<br>TRATTORINO TALPA 4RM | FN 1603/1           | 160/6           | 935                   | CR 857          | KA 0347         |
| <b>MERLO</b>                                  |                     |                 |                       |                 |                 |
| DMB 1400 DMB 1700                             | FN 301              | 250/10          | 979                   |                 | KA 0308         |
| DMB 1200 DMB 1500                             | FN 107              | 215/10          | 1257                  | CR 1139         | KA 0309         |
| DMB2000                                       | FN 154              | 280/10          | 3641                  | CR 1302         | KA 0310         |
| <b>MESSERSI</b>                               |                     |                 |                       |                 |                 |
| DUMPER  | FN 089              | 187/10          | 812                   | CR 1139         | KA 0205         |
| <b>NAPOLIONE</b>                              |                     |                 |                       |                 |                 |
| TRATTORE T3500 4000                           | FN 107.6            | 215/10          | 1089                  | CR 1409         | KA 0312         |
| TRATTORE T6000                                | FN 301              | 250/10          | 3643                  | CR 1302         | KA 0313         |
| <b>NIBBI BRUNO</b>                            |                     |                 |                       |                 |                 |
| TRATTORINO G119 G219 G520 G521                | FN 089              | 187/15          | 1439                  | CR 1139         | KA 0314         |
| TRATTORINO G119 G219 225LDT                   | FN 108              | 215/15          | 3644 disco<br>rigido  | CR 1139         | KA 0315         |
| TRATTORINO G119 G219 225LDT                   | FN 108              | 215/15          | 3892 disco a<br>molle | CR 1139         |                 |
| <b>OMAI</b>                                   |                     |                 |                       |                 |                 |
| TRANSPORTER SERIE 180                         | FN 089              | 187/10          | 200                   | CR 1139         | KA 0211         |
| TRANSPORTER SERIE 260                         | FN 109              | 215/20          | 732                   |                 | KA 0317         |
| <b>PASQUALI</b>                               |                     |                 |                       |                 |                 |
| MOTOCOLTIVATORE 921 - 934 - 923               | FN 061              | 160/10          | 1030                  | CR 1130/25      | KA 0318         |
| MOTOCOLTIVATORE 940 - 945 - 946 T             | P/18                | 180/10          | 980                   | CR 1413         | KA 0319         |
| MOTOCOLTIVATORE 956 - 957 - 990               | P/19                | 190/10          | 1139                  | CR 1413         | KA 0320         |
| TRATTORINO                                    | M 3450              | 228/17          | 4297                  | N.D.            | KA 0355         |
| <b>PGS</b>                                    |                     |                 |                       |                 |                 |
| MOTOCOLTIVATORE F10                           | FN 061.1            | 160/10          | 858                   |                 | KA 0322         |
| MOTOCOLTIVATORE F13 F14 F16                   | FN 089.3            | 187/10          | 1063                  | CR 1139         | KA 0323         |
| DUMPER 2096 3078                              | FN 089              | 187/10          | 1063                  | CR 1139         | KA 0324         |
| TRATTORINO ROMA                               | FN 089.1            | 187/10          | 1063                  | CR 1139         | KA 0290         |
| TRATTORE ROMA 500 R55 TR5000                  | FN 107.2            | 215/10          | 925                   | CR 1139         | KA 0326         |
| CARRELLO ELEVATORE                            | FN 301              | 250/10          | 958                   | CR 1302         | KA 0327         |
| <b>PICCINI</b>                                |                     |                 |                       |                 |                 |
| DUMPER 800/16 816/B4                          | FN 089.2            | 187/10          | 1063                  | CR 1139         | KA 0329         |

| MARCA E MODELLO                   | MECCANISMO          | Ø               | DISCO       | CUSCINETTO      | RIF.KIT         |
|-----------------------------------|---------------------|-----------------|-------------|-----------------|-----------------|
| <i>Make and Model</i>             | <i>Clutch plate</i> | CAVE<br>SPLINES | <i>Disc</i> | <i>Bearings</i> | <i>Kit Ref.</i> |
| <b>PINZA</b>                      |                     |                 |             |                 |                 |
| MOTAZAPPA 9000 9000R              | FN 081              | 140/6           | 1346        | CR 1130         | KA 0330         |
| MOTOCOLTIVATORE GRILLO            | FN 087              | 155/6           | 1345        | CR 1130         | KA 0331         |
| MOTOCOLTIVATORE GRILLO            | FN 087              | 160/10          | 3835        | CR 1130         | KA 0342         |
| TRATTORE 40 HP                    | FN107.6             | 215/10          | 925         | CR 1138         | KA 0332         |
| <b>POLENTES</b>                   |                     |                 |             |                 |                 |
| TRETTORINO PIERRE                 | FN 089.1            | 187/10          | 1150        | CR 1139         | KA 0333         |
| <b>RANDI</b>                      |                     |                 |             |                 |                 |
| MOTOCOLTIVATORE 3600              | FN 089              | 187/10          | 857         | CR 1138         | KA 0335         |
| MOTOCOLT. 2500/300/3500/4000/6000 | FN 1603/1           | 160/10          | 1064        | CR 1133         | KA 0348         |
| <b>SILLA</b>                      |                     |                 |             |                 |                 |
| DUMPER 800/SN                     | FN 089              | 187/10          | 200         | CR 1139         | KA 0211         |
| AUTOBETONIERA D8 2000/2500        | FN 301              | 250/10          | 309         | CR 1302         | KA 0283         |
| DUMPER 1000/SN 1200/SN            | FN 107.2            | 215/10          | 402         | CR 1139         | KA 0338         |
| <b>VALPADANA</b>                  |                     |                 |             |                 |                 |
| MOTOCOLTIVATORE PADANO D12 D14    | FN 089.1            | 187/10          | 1063        | CR 1139         | KA 0290         |
| MOTOCOLTIVATORE VMC 14            | FN 1603/1           | 160/6           | 935         | CR 857          | KA 0347         |
| TRATTORINO 4RM 350 4RM 450        | FN 107.2            | 215/10          | 1062        | CR 1139         | KA 0341         |

| MARCA E TIPO   | FRIZIONE        | TIPO        | DISCO                     | CUSC.          | MISURE DISCO   |
|--|-----------------|-------------|---------------------------|----------------|--|
| <i>Make and Model</i>  | <i>Clutch</i>   | <i>Type</i> | <i>Clutch Disc</i>        | <i>Bearing</i> | <i>Clutch disc dimentions</i>                        |
| <b>ADRIATICA M.A.</b>  |                 |             |                           |                |  |
| Motocoltivatore 88   |                 |             | <b>37 G 27</b>            |                | 82,5x60x4,5<br>Disco guarnito a denti esterni        |
| Minifalce - Motozappa  | <b>C 006</b>    | C           |                           |                |  |
| Motozappa - Motocoltivatore 93                                     | <b>C 013</b>    | C           |                           |                |  |
| Motocoltivatore 10 HP 93   | <b>MD 00102</b> | MD          | <b>37 G 25<br/>SD 040</b> |                | Disco guarnito diam. 93<br>Pacco dischi              |
| Motocoltivatore 12 HP 94   | <b>MD 00122</b> | MD          | <b>37 G 25<br/>SD 040</b> |                | Disco guarnito diam. 93<br>Pacco dischi              |
| <b>BARBIERI</b>  |                 |             |                           |                |  |
| Motocoltivatore Gazzella 1° serie<br>Motocoltivatore Puma 1° serie | <b>ML 01</b>    | ML          | <b>37 G 86</b>            | <b>CR 851</b>  | 86x50x3,5<br>A 15x12 DIN 5482 Z=8 rigido             |
| Motocoltivatore Gazzella 2° serie<br>Motocoltivatore Puma 2° serie | <b>ML 02</b>    | ML          | <b>37 G 86</b>            | <b>CR 851</b>  | 86x50x3,5<br>A 15x12 DIN 5482 Z=8 rigido             |
| Motocoltivatore Gazzella<br>Motocoltivatore Puma                   |                 |             | <b>37 G 87</b>            | <b>CR 852</b>  | 94x60x3<br>A 15x12 DIN 5482 Z=8 rigido               |
| Motocoltivatore Gazzella<br>Motocoltivatore Puma                   | <b>ML 11</b>    | ML          | <b>37 G 86</b>            | <b>CR 851</b>  | 86x50x3,5<br>A 15x12 DIN 5482 Z=8 rigido             |
| Motocoltivatore  | <b>MD 00104</b> | MD          | <b>37 G 25<br/>SD 040</b> | <b>CR 853</b>  | Disco guarnito diam. 93<br>Pacco dischi              |
| Motozappa Zebra  | <b>ML 04</b>    | ML          | <b>3019 CX</b>            | <b>CR 852</b>  | 110x75x3 sinterizzato<br>A 15x12 DIN 5482 Z=8 rigido |
| Motocoltivatore Giaguaro   | <b>BL 0052</b>  | BL          | <b>3019 CX</b>            | <b>CR 852</b>  | 110x75x3 sinterizzato<br>A 15x12 DIN 5482 Z=8 rigido |
| Motocoltivatore Rekord   |                 |             | <b>79 G 1</b>             |                | 122x80x11,5<br>A 28x25 DIN 5482 Z=15 rigido          |
| <b>BCS</b>   |                 |             |                           |                |  |
| Motofalciatrice 622  |                 |             | <b>1409</b>               |                | 178x133x5,5<br>25x20xSP Z=15 rigido                  |
| Motocoltivatore 715 - 735  | <b>C 001</b>    | C           |                           |                |  |
| Motofalciatrice serie 600<br>Motocoltivatore serie 700             | <b>MD 00106</b> | MD          | <b>37 G 25<br/>SD 041</b> |                | Disco guarnito diam. 93<br>Pacco dischi              |
| Motofalciatrice serie 600<br>Motocolt. serie 700 (Mot. 3LD510)     | <b>MD 00103</b> | MD          | <b>37 G 25<br/>SD 041</b> |                | Disco guarnito diam. 93<br>Pacco dischi              |
| <b>BEDOGNI</b>   |                 |             |                           |                |  |
| Motocoltivatore Colibri  |                 |             | <b>3019</b>               |                | 110x60x3<br>A 15x12 DIN 5482 Z=8 rigido              |
| Motocoltivatore Olympia  |                 |             | <b>1463</b>               |                | 178x133x5,5<br>23x18x3 Z=10 rigido                   |

| MARCA E TIPO                              | FRIZIONE        | TIPO        | DISCO                           | CUSC.          | MISURE DISCO   |
|---|-----------------|-------------|---------------------------------|----------------|--|
| <i>Make and Model</i>                     | <i>Clutch</i>   | <i>Type</i> | <i>Clutch Disc</i>              | <i>Bearing</i> | <i>Clutch disc dimentions</i>                        |
| <b>BENASSI MECC.</b>                      |                 |             |                                 |                |  |
| Motozappa RL 300SM (frizione corta)       | <b>C 004</b>    | C           |                                 |                |  |
| Motozappa RL 300 (frizione lunga)         | <b>C 001</b>    | C           |                                 |                |  |
| Motozappa L 15/L/R/95/100<br>634/R/L/R3   | <b>ML 04</b>    | ML          | <b>3019</b>                     | <b>CR 852</b>  | 110x60x3<br>A 15x12 DIN 5482 Z=8 rigido              |
| Motozappa                                 |                 |             | <b>81 G 4</b>                   |                | 82x60x2 sinterizzato<br>A 50x45 DIN 5482 Z=24 rigido |
| <b>BENASSI S.p.A.</b>                     |                 |             |                                 |                |  |
| Motozappa                                 | <b>C 013</b>    | C           |                                 |                |  |
| Motozappa 10 Hp                           | <b>MD 00102</b> | MD          | <b>37 G 25</b><br><b>SD 040</b> |                | Disco guarnito diam. 93<br>Pacco dischi              |
| <b>BERTOLINI</b>                          |                 |             |                                 |                |  |
| Motofalciatrice BRF 58                    |                 |             | <b>1141</b>                     |                | 145x102x8<br>26x21x3 Z=10 rigido                     |
| Motofalciatrice 124 - 125 - 126           |                 |             | <b>3904</b>                     |                | 178x133x5<br>26x21x3 Z=10 rigido                     |
| Motocoltivatore 307 (frizione lunga)      | <b>C 001</b>    | C           |                                 |                |  |
| Motocoltivatore 307 - 406 (friz. corta)   | <b>C 018</b>    | C           |                                 |                |  |
| Motocoltivatore 406 (Mot. ALN 330)        | <b>C 021</b>    | C           |                                 |                |  |
| Motocoltivatore 406 (Mot. Honda)          | <b>C 020</b>    | C           |                                 |                |  |
| Motofalciatrice serie 136/312             | <b>MD 00105</b> | MD          | <b>37 G 25</b><br><b>SD 040</b> |                | Disco guarnito diam. 93<br>Pacco dischi              |
| Motofalciatrice<br>motori AT330/ALN330    | <b>MD 00107</b> | MD          | <b>37 G 25</b><br><b>SD 040</b> |                | Disco guarnito diam. 93<br>Pacco dischi              |
| Motofalciatrice                           | <b>MD 00110</b> | MD          | <b>37 G 25</b><br><b>SD 040</b> |                | Disco guarnito diam. 93<br>Pacco dischi              |
| Motocoltivatore 305                       | <b>ML 04</b>    | ML          | <b>3019</b>                     | <b>CR 852</b>  | 110x60x3<br>A 15x12 DIN 5482 Z=8 rigido              |
| Motocoltivatore 401/402 (Att. Conico)     | <b>MD 00131</b> | MD          |                                 |                |  |
| Motocoltivaotre 401/402 (Att. Cilindrico) | <b>MD 00132</b> | MD          |                                 |                |  |
| <b>BRUMITAL</b>                           |                 |             |                                 |                |  |
| Motozappa Simplex                         | <b>ML 02</b>    | ML          | <b>37 G 86</b>                  | <b>CR 855</b>  | 86x50x3,5<br>A 15x12 DIN 5482 Z=8 rigido             |
| Motozappa Simplex                         |                 |             | <b>37 G 87</b>                  | <b>CR 856</b>  | 94x60x3<br>A 15x12 DIN 5482 Z=8 rigido               |
| Motozappa                                 | <b>ML 04</b>    | ML          | <b>3019 CX</b>                  | <b>CR 856</b>  | 110x75x3 sinterizzato<br>A 15x12 DIN 5482 Z=8 rigido |
| Motocoltivatore                           | <b>BL 0052</b>  | BL          | <b>3019 CX</b>                  |                | 110x75x3 sinterizzato<br>A 15x12 DIN 5482 Z=8 rigido |

| MARCA E TIPO   | FRIZIONE        | TIPO        | DISCO                     | CUSC.          | MISURE DISCO  |
|--|-----------------|-------------|---------------------------|----------------|---|
| <i>Make and Model</i>  | <i>Clutch</i>   | <i>Type</i> | <i>Clutch Disc</i>        | <i>Bearing</i> | <i>Clutch disc dimentions</i>                               |
| <b>CAMISA</b>  |                 |             |                           |                |   |
| Motocoltivatore  | <b>C 011</b>    |             |                           |                |   |
| Motocoltivatore 10 Hp  | <b>MD 00106</b> | MD          | <b>37 G 25<br/>SD 041</b> |                | Disco guarnito diam. 93<br>Pacco dischi                     |
| <b>CARRARO ANTONIO</b>   |                 |             |                           |                |   |
| Carrarino - serie Mini Special   | <b>ML 04</b>    | ML          | <b>3019</b>               | <b>CR 852</b>  | 110x60x3<br>A 15x12 DIN 5482 Z=8 rigido                     |
| Carrarino - serie Super  | <b>BL 0053</b>  | BL          | <b>3019</b>               | <b>CR 852</b>  | 110x60x3<br>A 15x12 DIN 5482 Z=8 rigido                     |
| Motocoltivatore serie 47 1° serie  | <b>ML 01</b>    | ML          | <b>37 G 86</b>            | <b>CR 851</b>  | 86x50x3,5<br>A 15x12 DIN 5482 Z=8 rigido                    |
| Motocoltivatore serie 47 2° serie  | <b>ML 02</b>    | ML          | <b>37 G 86</b>            |                | 86x50x3,5<br>A 15x12 DIN 5482 Z=8 rigido                    |
| Motocoltivatore serie 47 2° serie  |                 |             | <b>37 G 87</b>            | <b>CR 852</b>  | 94x60x3<br>A 15x12 DIN 5482 Z=8 rigido                      |
| <b>CASORZO</b>   |                 |             |                           |                |   |
| Motozappa 125 - 125 c<br>Motocoltivatore Golf - Brio   | <b>C 019</b>    | C           |                           |                |   |
| Motofalciatrice 94  | <b>MD 00109</b> | MD          | <b>37 G 25<br/>SD 040</b> |                | Disco guarnito diam. 93<br>Pacco dischi                     |
| Motocoltivatore 94  | <b>MD 00136</b> | MD          | <b>37 G 25<br/>SD 041</b> |                | Disco guarnito diam. 93<br>Pacco dischi                     |
| <b>COLLINA</b>   |                 |             |                           |                |   |
| Motozappa  | <b>C 011</b>    | C           |                           |                |   |
| Motozappa  | <b>C 015</b>    | C           |                           |                |   |
| Motozappa 10 Hp  | <b>MD 00101</b> | MD          | <b>37 G 25<br/>SD 041</b> |                | Disco guarnito diam. 93<br>Pacco dischi                     |
| Motozappa 14 Hp  | <b>ML 06</b>    | ML          |                           |                |   |
| <b>COMAS</b>   |                 |             |                           |                |   |
| Motofresatore (98 cc)  | <b>MD 00110</b> | MD          | <b>12 G 6<br/>SD 033</b>  |                | 82x61x4,5<br>Disco guarnito a denti esterni<br>Pacco dischi |
| <b>DIESSE</b>  |                 |             |                           |                |   |
| Motozappa 2<br>Ercole - Orsetto - Ercolino   | <b>BL 0051</b>  | BL          | <b>3019</b>               | <b>CR 852</b>  | 110x60x3<br>A 15x12 DIN 5482 Z=8 rigido                     |
| <b>ERREPPI</b>   |                 |             |                           |                |   |
| Transporter  | <b>ML 07</b>    | ML          | <b>3611</b>               | <b>CR 850</b>  | 160x110x7,5<br>23x20xASA 24/28 Z=20 rigido                  |

| MARCA E TIPO                                       | FRIZIONE        | TIPO        | DISCO                         | CUSC.          | MISURE DISCO   |
|--|-----------------|-------------|-------------------------------|----------------|--|
| <i>Make and Model</i>                              | <i>Clutch</i>   | <i>Type</i> | <i>Clutch Disc</i>            | <i>Bearing</i> | <i>Clutch disc dimentions</i>                        |
| <b>EUROGARDEN</b>                                  |                 |             |                               |                |  |
| Motozappa<br>Motocoltivatore Jolly                 | <b>ML 02</b>    | ML          | <b>37 G 86</b>                |                | 85x50x3,5<br>A 15x12 DIN 5482 Z=8 rigido             |
| Motozappa<br>Motocoltivatore Jolly                 |                 |             | <b>37 G 87</b>                | <b>CR 852</b>  | 94x60x3<br>A 15x12 DIN 5482 Z=8 rigido               |
| Motozappa Jolly                                    | <b>C 014</b>    | C           |                               |                |  |
| Motozappa Jolly (attacco cilindrico)               | <b>C 025</b>    | C           |                               |                |  |
| Motocoltivatore ← 08 -93<br>Frizione monodisco     | <b>ML 04</b>    |             | <b>3019 CX</b>                | <b>CR 852</b>  | 94x60x3<br>A 15x12 DIN 5482 Z=8 rigido               |
| Motocoltivatore Titano<br>Frizione monodisco       | <b>ML 12</b>    | ML          | <b>0 120 GM 2A</b>            | <b>CR 852</b>  | 110x75x3 sinterizzato<br>A 15x12 DIN 5482 Z=8 rigido |
| Motocoltivatore Titano<br>Frizione bidisco         | <b>BL 0052</b>  | BL          | <b>3019 CX</b>                | <b>CR 852</b>  | 110x75x3 sinterizzato<br>A 15x12 DIN 5482 Z=8 rigido |
| Motocoltivatore Titano/Caimano<br>Frizione bidisco | <b>BL 0056</b>  | BL          | <b>3019 CX</b>                | <b>CR 852</b>  | 110x75x3 sinterizzato<br>A 15x12 DIN 5482 Z=8 rigido |
| Motozappa - Motocoltivatore Tucano                 | <b>MD 00119</b> | MD          | <b>1 092 GP 2K<br/>SD 039</b> | <b>CR 853</b>  | Disco guarnito diam. 93<br>Pacco dischi              |
| Motocoltivatore Euro 90                            | <b>C 007</b>    | C           |                               |                |  |
| Motocoltivatore Euro 90                            | <b>C 023</b>    | C           |                               |                |  |
| <b>EUROSYSTEMS</b>                                 |                 |             |                               |                |  |
| Trattorino Florida                                 | <b>ML 07</b>    | ML          | <b>1 160 GM 2A</b>            | <b>CR 850</b>  | 160x110x7,5<br>A 17x14 DIN 5482 Z=9 rigido           |
| Motozappa  | <b>C 001</b>    | C           |                               |                |  |
| Motozappa 10Hp                                     | <b>C 024</b>    | C           |                               |                |  |
| Motocoltivatore                                    | <b>MD 00101</b> | MD          | <b>37 G 25<br/>SD 040</b>     |                | Disco guarnito diam. 93<br>Pacco dischi              |
| <b>FERRARI</b>                                     |                 |             |                               |                |  |
| Motocoltivatore 71 1° serie                        | <b>ML 04</b>    | ML          | <b>3019</b>                   | <b>CR 852</b>  | 110x60x3<br>A 15x12 DIN 5482 Z=8 rigido              |
| Motocoltivatore 71 2° serie                        | <b>C 001</b>    | C           |                               |                |  |
| <b>segue FERRARI</b>                               |                 |             |                               |                |  |
| Motocoltivatore 90                                 | <b>MD 00106</b> | MD          | <b>37 G 25<br/>SD 041</b>     |                | Disco guarnito diam. 93<br>Pacco dischi              |
| <b>FORT</b>  |                 |             |                               |                |  |
| Motozappa Tigrotto                                 | <b>C 004</b>    | C           |                               |                |  |
| Motocoltivatore serie 180                          | <b>ML 02</b>    | ML          | <b>37 G 86</b>                |                | 86x50x3,5<br>A 15x12 DIN 5482 Z=8 rigido             |
| Motocoltivatore                                    |                 |             | <b>37 G 87</b>                | <b>CR 852</b>  | 94x60x3<br>A 15x12 DIN 5482 Z=8 rigido               |
| Motocoltivatore serie 180 (Mot. JLO)               | <b>ML 11</b>    | ML          | <b>37 G 86</b>                | <b>CR 851</b>  | 86x50x3,5<br>A 15x12 DIN 5482 Z=8 rigido             |
| Motocoltivatore Tigrotto                           | <b>ML 04</b>    | ML          | <b>3019 CX</b>                | <b>CR 852</b>  | 110x75x3 sinterizzato<br>A 15x12 DIN 5482 Z=8 rigido |
| Motocoltivatore Tigrotto                           | <b>BL 0052</b>  | BL          | <b>3019 CX</b>                | <b>CR 852</b>  | 110x75x3 sinterizzato<br>A 15x12 DIN 5482 Z=8 rigido |

| MARCA E TIPO   | FRIZIONE        | TIPO        | DISCO                           | CUSC.          | MISURE DISCO   |
|--|-----------------|-------------|---------------------------------|----------------|--|
| <i>Make and Model</i>                                  | <i>Clutch</i>   | <i>Type</i> | <i>Clutch Disc</i>              | <i>Bearing</i> | <i>Clutch disc dimentions</i>                              |
| <b>F. &amp; M. MATRAS</b>                              |                 |             |                                 |                |  |
| Motozappa (160 cc.)<br>con ingranaggio                 | <b>MD 00111</b> | MD          | <b>88 M 25</b>                  |                | 104x78x3<br>Disco guarnito a denti esterni<br>Pacco dischi |
|  | <b>MD 00112</b> | MD          | <b>88 M 25</b><br><b>SD 035</b> |                | 104x78x3<br>Disco guarnito a denti esterni<br>Pacco dischi |
| Motozappa R5   | <b>ML 03</b>    | ML          | <b>00 86 GM 2A</b>              |                | 86x50x3,5<br>A 17x14xDIN 5482 Z=9 rigido                   |
| Motozappa R5   |                 |             | <b>37 G 88</b>                  |                | 94x60x3<br>A 17x14xDIN 5482 Z=9 rigido                     |
| Motozappa R5   | <b>ML11</b>     | ML          | <b>00 86 GM 2A</b>              |                | 86x50x3,5<br>A 17x14xDIN 5482 Z=9 rigido                   |
| Motozappa R 100  | <b>ML 04</b>    | ML          | <b>3019</b>                     | <b>CR 852</b>  | 110x60x3<br>A 15x12 DIN 5482 Z=8 rigido                    |
| Motozappa  | <b>C 005</b>    | C           |                                 |                |  |
| <b>GOLDONI</b>   |                 |             |                                 |                |  |
| Motofalciatrice ECO 5 - 6                              | <b>C 016</b>    | C           |                                 |                |  |
| Motocoltivatore Jolly Junior                           | <b>ML 05</b>    | ML          | <b>3019 CX</b>                  |                | 110x75x3 sinterizzato<br>A 15x12 DIN 5482 Z=8 rigido       |
| Motocoltivatore Special Lux<br>118-120-122-128-140-149 | <b>BL 0055</b>  | BL          | <b>3019 CX</b>                  |                | 110x75x3 sinterizzato<br>A 15x12 DIN 5482 Z=8 rigido       |
| <b>GRILLO</b>  |                 |             |                                 |                |  |
| Motocoltivatore 127 - 1100                             | <b>C 003</b>    | C           |                                 |                |  |
| Motofalciatrice  |                 |             |                                 |                |  |
| Motocoltivatore 130                                    | <b>C 011</b>    | C           |                                 |                |  |
| Motofalciatrice  |                 |             |                                 |                |  |
| Motofalce  | <b>MD 00106</b> | MD          | <b>37 G 25</b><br><b>SD 041</b> |                | Disco guarnito diam. 93<br>Pacco dischi                    |
| Motocoltivatore  | <b>MD 00106</b> | MD          | <b>37 G 25</b><br><b>SD 041</b> |                | Disco guarnito diam. 93<br>Pacco dischi                    |
| Motocoltivatore 131                                    | <b>ML 13</b>    | ML          | <b>2 160 GM 2A</b>              |                | 160x110x7,5<br>16x13x3,5 Z=6 rigido                        |
| <b>IMER</b>  |                 |             |                                 |                |  |
| Motozappa serie 115                                    | <b>ML 04</b>    | ML          | <b>3019</b>                     | <b>CR 852</b>  | 110x60x3<br>A 15x12 DIN 5482 Z=8 rigido                    |
| <b>ITRIA</b>   |                 |             |                                 |                |  |
| Motozappa  | <b>C 006</b>    | C           |                                 |                |  |

| MARCA E TIPO                      | FRIZIONE        | TIPO        | DISCO                          | CUSC.          | MISURE DISCO   |
|-----------------------------------|-----------------|-------------|--------------------------------|----------------|--|
| <i>Make and Model</i>             | <i>Clutch</i>   | <i>Type</i> | <i>Clutch Disc</i>             | <i>Bearing</i> | <i>Clutch disc dimentions</i>                                  |
| <b>MAB</b>                        |                 |             |                                |                |  |
| Motocoltivatore Panda             | <b>C 001</b>    | C           |                                |                |  |
| Motozappa Talpina                 | <b>MD 00117</b> | MD          | <b>37 G 27</b>                 |                | 82,5x60x4,5<br>Disco guarnito a denti esterni                  |
| Motozappa                         | <b>MD 00118</b> | MD          | <b>37 G 27</b>                 |                | 82,5x60x4,5<br>Disco guarnito a denti esterni                  |
| <b>MAG</b>                        |                 |             |                                |                |  |
| Motozappa GL 70                   | <b>ML 01</b>    | ML          | <b>37 G 86</b>                 | <b>CR 851</b>  | 86x50x3,5<br>A 15x12 DIN 5482 Z=8 rigido                       |
| Motozappa MJ 70                   | <b>ML 10</b>    | ML          | <b>37 G 86</b>                 | <b>CR 851</b>  | 86x50x3,5<br>A 15x12 DIN 5482 Z=8 rigido                       |
| Motozappa MJ 70 AV                |                 | ML          | <b>37 G 86</b>                 |                | 86x50x3,5<br>A 15x12 DIN 5482 Z=8 rigido                       |
| Motozappa MJ 100 K                |                 | ML          | <b>37 G 86</b>                 |                | 86x50x3,5<br>A 15x12 DIN 5482 Z=8 rigido                       |
| Motozappa                         | <b>ML 04</b>    | ML          | <b>3019</b>                    | <b>CR 852</b>  | 110x60x3<br>A 15x12 DIN 5482 Z=8 rigido                        |
| Motozappa                         | <b>BL 0051</b>  | BL          | <b>3019</b>                    | <b>CR 852</b>  | 110x60x3<br>A 15x12 DIN 5482 Z=8 rigido                        |
| <b>M.GI.BI.</b>                   |                 |             |                                |                |  |
| Motozappa                         | <b>C 022</b>    | C           |                                |                |  |
| Motocoltivatore                   |                 |             | <b>63 G 1</b>                  |                | 120x79x3,5 - 35 denti<br>Disco guarnito a denti interni        |
| Motocoltivatore                   |                 |             | <b>63 G 2</b>                  |                | Disco acciaio a denti esterni sp . 1,5                         |
| Motocoltivatore                   |                 |             | <b>63 G 3</b>                  |                | Disco acciaio a denti esterni sp. 2                            |
| <b>MOTORI F. MORINI</b>           |                 |             |                                |                |  |
| Motore CZ7                        |                 | MD          | <b>170 M 54<br/>SD 043</b>     |                | Disco guarnito diam. 98<br>Pacco dischi                        |
| <b>MOTORI MINARELLI</b>           |                 |             |                                |                |  |
| Motore I 90                       |                 | MD          | <b>170 M 30<br/>SD 044</b>     |                | Disco guarnito diam. 98<br>Pacco dischi                        |
| <b>NIBBI DECIMO</b>               |                 |             |                                |                |  |
| Motozappa                         | <b>C 008</b>    | C           |                                |                |  |
| Motozappa Mayor                   | <b>ML 04</b>    | ML          | <b>3019</b>                    | <b>CR 852</b>  | 110x60x3<br>A 15x12 DIN 5482 Z=8 rigido                        |
| Motozappa                         | <b>MD 00116</b> | MD          | <b>22 G 20<br/><br/>SD 042</b> |                | 104x77,5x2,6<br>Disco guarnito a denti interni<br>Pacco dischi |
| Motocoltivatore - motofalciatrice | <b>MD 00129</b> | MD          | <b>37 G 25</b>                 |                | Disco guarnito diam. 93  |
| Motozappa Grifo 28//22            | <b>MD 00124</b> | MD          | <b>37 G 25</b>                 |                | Disco guarnito diam. 93  |
| Motozappa Grifo Extra 08/97       | <b>MD 00130</b> | MD          | <b>37 G 25</b>                 |                | Disco guarnito diam. 93  |
| Motozappa Grifo Extra 09/97       | <b>MD 00134</b> | MD          | <b>37 G 25</b>                 |                | Disco guarnito diam. 93  |
| Motozappa Grifo Extra 97          | <b>MD 00133</b> | MD          | <b>37 G 25</b>                 |                | Disco guarnito diam. 93  |
| Motore 510                        |                 |             |                                |                |  |

| <b>MARCA E TIPO</b>                                | <b>FRIZIONE</b> | <b>TIPO</b> | <b>DISCO</b>                       | <b>CUSC.</b>   | <b>MISURE DISCO</b>  |
|--|-----------------|-------------|------------------------------------|----------------|--|
| <i>Make and Model</i>                              | <i>Clutch</i>   | <i>Type</i> | <i>Clutch Disc</i>                 | <i>Bearing</i> | <i>Clutch disc dimentions</i>                                |
| Motozappa Grifo Extra 98<br>Motore 510             | <b>MD 00135</b> | MD          | <b>37 G 25</b>                     |                | Disco guarnito diam. 93                                      |
| Motozappa  | <b>BL 0051</b>  | BL          | <b>3019</b>                        | <b>CR 852</b>  | 110x60x3<br>A 15x12 DIN 5482 Z=8 rigido                      |
| <b>PASQUALI</b>                                    |                 |             |                                    |                |  |
| Motozappa 938 - 939 - 953                          | <b>C 004</b>    | C           |                                    |                |  |
| Motocoltivatore 450                                | <b>MD 00120</b> | MD          | <b>37 G 25</b>                     |                | Disco guarnito diam. 93                                      |
| Motocoltivatore - motofalciatrice<br>Motore ACME   | <b>MD 00126</b> | MD          | <b>37 G 25</b>                     |                | Disco guarnito diam. 93                                      |
| Motocoltivatore 461 - 475 - 478                    | <b>MD 00127</b> | MD          | <b>37 G 25</b>                     |                | Disco guarnito diam. 93                                      |
| Motocoltivatore - motofalciatrice<br>Motore 3LD510 | <b>MD 00128</b> | MD          | <b>37 G 25</b>                     |                | Disco guarnito diam. 93                                      |
| Motocoltivatore - motofalciatrice<br>Motore 3LD510 | <b>MD 00121</b> | MD          | <b>37 G 25</b>                     |                | Disco guarnito diam. 93                                      |
| Motocoltivatore 450<br>Att. Diam. 19,5             | <b>MD 00125</b> | MD          | <b>37 G 25</b>                     |                | Disco guarnito diam. 93                                      |
| <b>RANDI</b>                                       |                 |             |                                    |                |  |
| Motocoltivatore                                    | <b>MD 00113</b> | MD          | <b>27 G 7</b><br><br><b>SD 036</b> |                | 120x95x3,5<br>Disco guarnito a denti esterni<br>Pacco dischi |
| <b>ROTECO</b>                                      |                 |             |                                    |                |  |
| Motozappa  | <b>C 019</b>    | C           |                                    |                |  |
| Motocoltivatore 10/14 HP                           | <b>ML 06</b>    | ML          | <b>0.160 GM2A</b>                  |                | 122x80x11,5<br>A 28x25xDIN 5482 Z=15 rigido                  |
| <b>SEP</b>   |                 |             |                                    |                |  |
| Minifalciatrice 150 - 200                          |                 |             | <b>3019</b>                        |                | 110x60x3<br>A 15x12xDIN 5482 Z=8 rigido                      |
| Motozappa 140                                      |                 |             | <b>79 G 1</b>                      |                | 122x80x11,5<br>A 28x25xDIN 5482 Z=15 rigido                  |
| <b>VALPADANA</b>                                   |                 |             |                                    |                |  |
| Motocoltivatore VMC 12 - 160                       | <b>ML 04</b>    | ML          | <b>3019</b>                        | <b>CR 852</b>  | 110x60x3<br>A 15x12 DIN 5482 Z=8 rigido                      |
| Motocoltivatore                                    | <b>MD 00101</b> |             | <b>37 G 25</b><br><b>SD 040</b>    |                | Disco guarnito diam. 93<br>Pacco dischi                      |
| Motocoltivatore                                    | <b>BL 0051</b>  | BL          | <b>3019</b>                        | <b>CR 852</b>  | 110x60x3<br>A 15x12 DIN 5482 Z=8 rigido                      |



## CROSS REFERENCE LIST

| PI.VI REF.                               | SAFFA REF. | MAKER   |
|--|------------|---|
| <b>MECCANISMI - <i>Clutch covers</i></b> |            |   |
| 17.102.000                               | FN 1603/1  | ADRIATICA MACCHINE<br>BARALDI<br>BCS<br>CARON<br>MAB<br>PGS<br>RANDI<br>VALPADANA   |
| 17.104.000                               | FN 081     | ADRIATICA MACCHINE<br>PINZA   |
| 17.108.000                               | FN 089     | AGRIFULL<br>AZZOLINI<br>COMET OPERA<br>DIECI F.LLI<br>DISALCAR<br>FIORI BETONDUMPERS<br>IMER<br>MESSERSI<br>NIBBI BRUNO<br>OMAI<br>PGS<br>RANDI       |
| 17.110.000                               | FN 089     | FIAT  |
| 17.112.000                               | FN 089.1   | ANTONELLI<br>BARALDI<br>BARBIERI<br>FERRARI<br>GECOM<br>ISOTTA FRASCHINI<br>PGS<br>POLENTES<br>VALENTINI<br>VALPADANA                                 |
| 17.113.000                               | FN 107.1   | BREMACH<br>DISALCAR   |
| 17.114.000                               | FN 104     | AGRIFULL  |
| 17.117.000                               | FN 108     | BARBIERI<br>NIBBI BRUNO   |
| 17.118.000                               | FN 107     | AGRIFULL<br>ANTONELLI<br>AZZOLINI<br>BERZONI<br>CARRARO SPA<br>COMET OPERA<br>DIECI F.LLI<br>DISALCAR<br>FERRARI<br>FIAT<br>GECOM<br>LANDINI<br>MERLO |
| 17.126.000                               | FN 381     | CARRARO ANTONIO   |
| 17.127.000                               | FN 087     | PINZA   |



|            |          |  |
|------------|----------|--|
| 17.133.000 | FN 301   | AGRIFULL<br>AZZOLINI<br>BERZOINI<br>CARRARO SPA<br>COMET OPERA<br>DIECI F.LLI<br>EUROCOSMEC<br>FIAT<br>FIORI BETONDUMPERS<br>GECOM<br>ITMA<br>MERLO<br>NAPOLIONE<br>ORMIG<br>PGS |
| 17.134.000 | FN 154   | AGRIFULL<br>BENATI<br>BERZOINI<br>CARRARO SPA<br>COMET OPERA<br>EUROCOSMEC<br>FORD<br>GECOM<br>MERLO<br>OM   |
| 17.150.000 | FN 107.6 | ITMA<br>NAPOLIONE<br>PINZA   |
| 17.164.000 | FN 061   | FRANCESCHI & MASINA  |
| 17.213.000 | FN 109   | ADRIATICA MACCHINE<br>BERTOLINI<br>OMAI  |
| 17.222.000 | FN 092   | CARRARO ANTONIO  |
| 17.226.000 | FN 234   | CARRARO ANTONIO  |
| 17.232.000 | FN 088   | CARRARO ANTONIO  |
| 17.234.000 | FN 093   | FERRARI  |
| 17.235.000 | FN 119.1 | CARRARO ANTONIO  |
| 17.247.000 | FN 395   | ADRIATICA MACCHINE   |
| 17.553.000 | FN 154   | LANDINI<br>MASSEY FERGUSON   |
| 18.600.005 | ML 01    | BARBIERI<br>BRUMITAL<br>FORT   |
| 18.601.005 | ML 03    | FRANCESCHI & MASINA  |
| 18.800.000 | FN 081.1 | BERTOLINI<br>FERRARI<br>BERTOLINI  |
| 18.811.000 | FN 1603  | BARBIERI<br>FERRARI<br>FORT<br>GOLDONI   |
| 18.814.000 | FN 1603  | FERRARI  |
| 18.825.502 | C 001    | BCS<br>BENASSI<br>BERTOLINI<br>FERRARI<br>MAB<br>PINZA   |
| 18.839.000 | FN 093.1 | BERTOLINI  |



|  |          |   |
|--|----------|---|
| 18.841.000                               | FN 061.1 | FIMA<br>ISOTTA FRASCHINI<br>PASQUALI<br>PGS   |
| 18.849.000                               | FN 085.1 | BERTOLINI   |
| 18.850.000                               | FN 087.1 | BERTOLINI<br>EUROSYSTEM   |
| 18.852.000                               | FN 092.3 | BERTOLINI   |
| 18.854.000                               | FN 092.1 | ADRIATICA MACCHINE<br>BERTOLINI<br>FERRARI  |
| 18.858.000                               | FN 092.2 | BERTOLINI<br>CARON<br>FERRARI   |
| 18.860.000                               | ML 04    | BARBIERI<br>BENASSI MECCANICA<br>BERTOLINI<br>CARRARO ANTONIO<br>FERRARI<br>FORT<br>FRANCESCHI & MASINA<br>IMER<br>NIBBI BRUNO<br>VALPADANA |
| 18.862.000                               | BL 0052  | BARBIERI<br>BRUMITAL<br>FORT  |
| 18.864.000                               | BL 0053  | CARRARO ANTONIO   |
| 18.866.000                               | ML 05    | GOLDONI   |
| 18.867.000                               | BL 0055  | GOLDONI   |
| 18.871.000                               | FN 089.3 | BERTOLINI<br>GOLDONI<br>PGS   |
| 18.872.000                               | FN 089.2 | BARBIERI<br>GOLDONI<br>PICCINI  |
| 18.875.000                               | FN 089.4 | GOLDONI   |
| 18.889.000                               | FN 107.5 | BARALDI   |
| 18.892.000                               | FN 107.4 | GOLDONI   |
| 18.894.000                               | FN 107.2 | ITMA<br>PGS<br>VALPADANA  |
| 18.895.000                               | FN 107.3 | LAVERDA   |
| 18.896.000                               | FN 108.1 | DE NARDI  |
| 18.917.000                               | FN 311   | OM  |
| 18.918.000                               | FN 168   | LANDINI<br>MASSEY FERGUSON  |
| 18.920.000                               | FN 154.2 | ARBOS   |
| 18.921.000                               | FN 154.3 | BENATI  |
| 18.969.000                               | FN 154.1 | ITMA EDILTER  |
| 18.986.502                               | C 008    | NIBBI DECIMO  |
| 18.990.502                               | C 006    | ADRIATICA MACCHINE<br>ITRIA   |
| 18.991.502                               | C 004    | FORT<br>PASQUALI  |
| 18.992.502                               | C 005    | FRANCESCHI & MASINA   |
| <b>CUSCINETTI REGGISPINTA - Bearings</b> |          |   |
| 24.100.000                               |          | CR 1132   |
| 24.109.000                               |          | CR 1138   |
| 24.118.000                               |          | CR 1409   |
| 24.124.000                               |          | CR 1302   |
| 24.127.000                               |          | CR 1307   |



|                                       |       |                 |
|---------------------------------------|-------|-----------------|
| 26.055.000                            |       | CR 1141         |
| 26.057.000                            |       | CR 1139         |
| 26.065.000                            |       | CR 857          |
| 26.068.000                            |       | CR 1360         |
| 26.086.000                            |       | CR 1137         |
| 26.087.000                            |       | CR 1144         |
| 26.800.000                            |       | CR 1130         |
| 26.856.000                            |       | CR 850          |
| 26.861.000                            |       | CR 852          |
| 26.900.000                            |       | CR 1130/25      |
| <b>LEVE FORCELLA - Clutch lever</b>   |       |                 |
| 27.102.000                            |       | LF 102          |
| 27.108.000                            |       | LF 11           |
| 27.112.000                            |       | LF 14           |
| 27.114.000                            |       | LF 13           |
| 27.800.000                            |       | LF 800          |
| 27.890.000                            |       | LF 890          |
| <b>DISCHI FRIZIONE - Clutch discs</b> |       |                 |
| 39.200.124                            | 37G87 | BARBIERI        |
|                                       |       | BRUMITAL        |
|                                       |       | FORD            |
| 39.201.124                            | 37G88 | F. & M.         |
| 39.411.000                            | 0805  | FORD            |
| 39.412.000                            | 0847  | FORD            |
| 39.500.000                            | 1127  | CARRARO ANTONIO |
| 39.501.000                            | 1183  | CARRARO ANTONIO |
| 39.502.000                            | 1486  | CARRARO ANTONIO |
| 39.505.000                            | 0808  | FIAT            |
|                                       |       | FIAT(Cingolati) |
| 39.506.000                            | 0402  | FIAT            |
| 39.507.000                            | 1068  | FIAT            |
| 39.510.000                            | 1080  | FIAT            |
| 39.512.000                            | 0791  | CARRARO SPA     |
| 39.513.000                            | 0848  | CARRARO SPA     |
| 39.514.000                            | 0849  | CARRARO SPA     |
| 39.515.000                            | 0967  | CARRARO SPA     |
| 39.516.000                            | 0690  | CARRARO SPA     |
| 39.517.000                            | 0970  | CARRARO SPA     |
| 39.518.000                            | 0969  | CARRARO SPA     |
| 39.519.000                            | 0968  | CARRARO SPA     |
| 39.520.000                            | 0960  | CARRARO SPA     |
| 39.523.000                            | 0847  | FORD            |
| 39.524.000                            | 0790  | FORD            |
| 39.525.000                            | 0842  | FORD            |
| 39.526.000                            | 0841  | FORD            |
| 39.527.000                            | 5044  | FORD            |
| 39.529.000                            | 1092  | FORD            |
| 39.536.000                            | 4129  | FORD            |
| 39.537.000                            | 1367  | FORD            |
| 39.538.000                            | 1414  | FORD            |
| 39.539.000                            | 0995  | LANDINI         |
| 39.542.000                            | 1021  | LANDINI         |
| 39.543.000                            | 0993  | LANDINI         |
| 39.544.000                            | 1110  | MASSEY FERGUSON |
| 39.545.000                            | 0853  | MASSEY FERGUSON |
| 33.546.000                            | 1034  | MASSEY FERGUSON |
| 39.547.000                            | 0953  | MASSEY FERGUSON |
| 39.548.000                            | 1034  | MASSEY FERGUSON |
| 39.549.000                            | 0956  | MASSEY FERGUSON |
|                                       |       | LANDINI         |
| 39.550.000                            | 0957  | MASSEY FERGUSON |
| 39.551.000                            | 0856  | OM              |



|            |      |                 |
|------------|------|-----------------|
| 39.552.000 | 0815 | FIAT OM         |
| 39.553.000 | 4031 | FIAT OM         |
| 39.554.000 | 0861 | OM              |
| 39.555.000 | 4032 | FIAT OM         |
| 39.558.000 | 1030 | PASQUALI        |
| 39.559.000 | 1033 | PASQUALI        |
| 39.560.000 | 0864 | PASQUALI        |
| 39.561.000 | 0881 | SAME            |
| 39.562.000 | 0978 | SAME            |
| 39.563.000 | 1119 | SAME            |
| 39.564.000 | 0796 | SAME            |
| 39.565.000 | 0880 | SAME            |
| 39.566.000 | 0894 | SAME            |
| 39.567.000 | 0885 | SAME            |
| 39.568.000 | 0899 | SAME            |
| 39.570.000 | 0886 | SAME            |
| 39.571.000 | 0888 | SAME            |
| 39.572.000 | 0891 | SAME            |
| 39.573.000 | 0896 | SAME            |
| 39.574.000 | 0892 | SAME            |
| 39.575.000 | 0795 | SAME            |
| 39.576.000 | 0794 | SAME            |
| 39.577.000 | 0770 | SAME            |
| 39.578.000 | 0951 | SAME            |
| 39.579.000 | 0962 | SAME            |
| 39.580.000 | 0978 | SAME            |
| 39.582.000 | 0795 | SAME            |
| 39.583.000 | 4202 | SAME            |
| 39.584.000 | 1122 | SAME            |
| 39.585.000 | 1299 | SAME            |
| 39.586.000 | 1051 | SAME            |
| 39.587.000 | 0991 | SAME            |
| 39.588.000 | 1081 | SAME            |
| 39.589.000 | 1042 | SAME            |
| 39.590.000 | 3008 | SAME            |
| 39.591.000 | 1144 | SAME            |
| 39.592.000 | 3008 | SAME            |
| 39.593.000 | 1230 | FIAT            |
| 39.594.000 | 1070 | FIAT            |
| 39.595.000 | 1080 | FIAT            |
| 39.596.000 | 1389 | LANDINI         |
| 39.597.118 | 1069 | AGRIFULL / FIAT |
| 39.598.118 | 1073 | FIAT            |
| 39.598.119 | 1478 | FIAT            |
| 36.600.000 | 1409 | BCS             |
| 39.601.000 | 1463 | BEDOGNI         |
| 39.603.000 | 1141 | BERTOLINI       |
| 39.604.000 | 3904 | BERTOLINI       |
| 39.605.000 | 1442 | CARRARO SPA     |
| 39.606.000 | 1445 | CARRARO SPA     |
| 39.607.000 | 1446 | CARRARO SPA     |
| 39.608.000 | 1447 | CARRARO SPA     |
| 39.609.000 | 1448 | CARRARO SPA     |
| 39.610.000 | 1449 | CARRARO SPA     |
| 39.611.000 | 1450 | CARRARO SPA     |
| 39.612.000 | 1451 | CARRARO SPA     |
| 39.613.000 | 1424 | CARRARO SPA     |
| 39.614.000 | 1425 | CARRARO SPA     |
| 39.615.000 | 4095 | FIAT            |
| 39.617.000 | 0927 | FIAT            |
| 39.618.000 | 0937 | FIAT            |
| 39.619.118 | 3404 | FIAT            |
| 39.619.139 | 3882 | AGRIFULL / FIAT |



|            |               |                            |
|------------|---------------|----------------------------|
| 39.619.139 | 4119          | ITMA                       |
| 39.619.218 | 4226          | AGRIFULL / FIAT            |
| 39.619.219 | 3804          | AGRIFULL / FIAT            |
| 39.620.139 | 1426          | FIAT                       |
| 39.621.000 | 3169          | FIAT                       |
| 39.622.000 | 1426          | FIAT                       |
| 39.623.000 | 3169          | FIAT                       |
| 39.624.000 | 1462          | FIAT                       |
| 39.625.000 | 1214          | FIAT                       |
| 39.626.119 | 1404          | FIAT                       |
| 39.627.000 | 1093          | FIAT                       |
| 39.633.000 | 1212          | FORD                       |
| 39.634.000 | 3872 / 3872CX | FORD                       |
| 39.635.000 | 0989          | LAMBORGHINI                |
| 39.636.000 | 0746          | LAMBORGHINI                |
| 39.637.000 | 1024          | LAMBORGHINI                |
| 39.638.000 | 3817          | LAMBORGHINI                |
| 39.639.000 | 1401          | LAMBORGHINI                |
| 39.640.000 | 0989          | LAMBORGHINI                |
| 39.641.000 | 0747          | LAMBORGHINI                |
| 39.642.000 | 3638          | LAMBORGHINI                |
| 39.643.000 | 1359          | LAMBORGHINI                |
| 39.644.000 | 3732          | LAMBORGHINI                |
| 39.644.119 | 3435          | LAMBORGHINI                |
| 39.645.000 | 1360          | LAMBORGHINI                |
| 39.645.119 | 3820          | LAMBORGHINI                |
| 39.646.000 | 1151          | LAMBORGHINI                |
| 39.648.118 | 1148          | LAMBORGHINI                |
| 39.648.139 | 3738          | LAMBORGHINI                |
| 39.651.000 | 1242          | LANDINI                    |
| 39.652.000 | 1241          | LANDINI                    |
| 39.653.000 | 4055          | LANDINI                    |
| 39.654.000 | 1069          | LANDINI                    |
| 39.655.000 | 3804          | LANDINI<br>MASSEY FERGUSON |
| 39.657.000 | 3735          | LANDINI                    |
| 39.658.000 | 1394          | LANDINI                    |
| 39.659.000 | 1467          | LANDINI                    |
| 39.660.000 | 3114          | MASSEY FERGUSON            |
| 39.661.000 | 1363          | MASSEY FERGUSON            |
| 39.664.000 | 0980          | PASQUALI                   |
| 39.665.000 | 1079          | PASQUALI                   |
| 39.666.000 | 1139          | PASQUALI                   |
| 39.667.000 | 1238          | SAME                       |
| 39.668.000 | 0795          | SAME                       |
| 39.669.000 | 3473          | SAME                       |
| 39.670.000 | 1341          | SAME                       |
| 39.670.118 | 4042          | LAMBORGHINI                |
| 39.671.000 | 1344          | SAME                       |
| 39.672.000 | 3008          | SAME                       |
| 39.673.000 | 1343          | SAME                       |
| 39.674.000 | 1344          | SAME                       |
| 39.675.000 | 1340          | SAME                       |
| 39.681.000 | 0803          | NEW HOLLAND                |
| 39.684.000 | 3740          | CARRARO SPA                |
| 39.685.000 | 3741          | CARRARO SPA                |
| 39.686.118 | 3743          | CARRARO SPA                |
| 39.687.000 | 3742          | CARRARO SPA                |
| 39.688.000 | 3574          | CARRARO SPA                |
| 39.689.000 | 3400          | SAME                       |
| 39.690.000 | 3461          | SAME                       |
| 39.691.000 | 1435          | LANDINI                    |
| 39.692.000 | 3780          | LANDINI / MF               |



|            |             |                    |
|------------|-------------|--------------------|
| 39.693.000 | 3635        | LANDINI / MF       |
| 39.694.000 | 3474        | MASSEY FERGUSON    |
| 39.695.000 | 3796        | LAMBORGHINI        |
| 39.696.000 | 3736        | LAMBORGHINI        |
| 39.697.000 | 3106 / 3593 | LAMBORGHINI        |
| 33.698.000 | 1359        | LAMBORGHINI        |
| 39.699.000 | 1121        | ITMA               |
| 39.699.000 | 3827        | LAMBORGHINI        |
| 39.701.000 | 3830        | ITMA               |
| 39.702.000 | 3831        | ITMA               |
| 39.702.000 | 3829        | LAMBORGHINI        |
| 39.704.000 | 3473        | SAME               |
| 39.705.000 | 1452        | SAME               |
| 39.706.000 | 3745        | FIAT               |
|            |             | FIAT               |
| 39.707.000 | 1093        | FIAT               |
| 39.727.000 | 3804        | LANDINI / MF       |
| 39.728.000 | 4049        | GOLDONI            |
| 39.729.000 | 4329        | GOLDONI            |
| 33.730.000 | 0532        | BREMACH            |
| 39.740.118 | 3566        | LANDINI            |
| 39.741.118 | 3567        | LANDINI            |
| 39.742.000 | 1364        | LANDINI            |
| 39.743.000 | 1365        | LANDINI            |
| 39.744.000 | 4203        | SAME / LAMBORGHINI |
| 39.750.000 | 4172        | FIAT               |
| 39.750.000 | 4173        | FIAT               |
| 39.750.000 | 4045        | GOLDONI            |
| 39.751.000 | 4179        | FIAT               |
| 39.752.000 | 3105        | SAME / LAMBORGHINI |
| 39.753.000 | 3949        | GOLDONI            |
| 39.760.000 | 3825        | SAME / LAMBORGHINI |
| 39.761.000 | 1405        | LANDINI            |
| 39.762.000 | 3791        | LANDINI / MF       |
| 39.763.000 | 3922        | LANDINI / MF       |
| 39.764.000 | 4100        | SAME               |
| 39.766.000 | 4118        | AGRIFULL / FIAT    |
| 39.767.000 | 4192        | AGRIFULL / FIAT    |
| 39.781.000 | 5032        | LAVERDA            |
| 39.782.000 | 4103        | SAME               |
| 39.783.000 | 4099        | FIAT               |
| 39.789.118 | 4233        | AGRIFULL / FIAT    |
|            |             | ITMA               |
| 39.790.000 | 4000        | SAME / LAMBORGHINI |
| 39.793.000 | 3462        | SAME               |
| 39.794.118 | 4063        | SAME / LAMBORGHINI |
| 39.794.218 | 4062        | SAME / LAMBORGHINI |
| 39.795.000 | 3973        | FORD               |
| 39.800.114 | 0199        | FERRARI            |
| 39.801.114 | 0935        | BARALDI            |
|            |             | MAB                |
|            |             | VALPADANA          |
| 39.804.118 | 0943        | ADRIATICA MACCHINE |
|            |             | BERTOLINI          |
| 39.806.114 | 1346        | FERRARI            |
| 39.810.114 | 1224        | PINZA              |
|            |             | BARBIERI           |
|            |             | GOLDONI            |
| 39.810.118 | 3626        | RANDI              |
| 39.810.118 | 3626        | FORT               |
| 39.811.114 | 1028        | BERTOLINI          |
| 39.815.114 | 1064        | PGS                |
|            |             | PICCINI            |



|            |        |                    |
|------------|--------|--------------------|
| 39.817.114 | 1345   | BCS                |
|            |        | PINZA              |
| 39.824.124 | 3656   | BERTOLINI          |
| 39.830.118 | 1324   | ADRIATICA MACCHINE |
| 39.838.115 | 0812   | MENCI              |
| 39.839.118 | 3610   | BARBIERI           |
|            |        | BERTOLINI          |
| 39.840.114 | 1017   | CARRARO ANTONIO    |
| 39.840.114 | 1030   | F. & M.            |
|            |        | PGS                |
| 39.841.214 | 3596   | LOMBARDINI         |
| 39.842.114 | 1145   | FIMA               |
|            |        | ISOTTA FRASCHINI   |
| 39.844.118 | 1418   | EUROSYSTEM         |
| 39.845.116 | 3970   | AEBI               |
| 39.850.114 | 3611   | BERTOLINI          |
| 39.852.118 | 3835   | PINZA              |
| 39.854.118 | 1418   | CARRARO ANTONIO    |
| 39.854.218 | 0736   | CARRARO ANTONIO    |
| 39.855.114 | 1418   | CARON              |
|            |        | FERRARI            |
| 39.856.118 | 3609   | BERTOLINI          |
|            |        | BARBIERI           |
|            |        | BEDOGNI            |
|            |        | BENASSI            |
|            |        | BERTOLINI          |
| 39.857.124 | 3019   | CARRARO ANTONIO    |
|            |        | FERRARI            |
|            |        | FORT               |
|            |        | F. & M.            |
|            |        | IMER               |
|            |        | NIBBI DECIMO       |
|            |        | VALPADANA          |
| 39.858.114 | 3586   | NIBBI DECIMO       |
| 39.860.129 | 3019CX | BARBIERI           |
|            |        | BRUMITAL           |
|            |        | GOLDONI            |
| 39.861.118 | 0883   | SAME               |
| 39.863.118 | 3634   | ITMA               |
| 39.863.118 | 3634   | PINZA              |
| 39.864.000 | 3741   | CARRARO SPA        |
| 39.868.118 | 3612   | BARBIERI           |
|            |        | BERTOLINI          |
|            |        | DE NARDI           |
| 39.869.118 | 3938   | AGRIFULL           |
|            |        | NIBBI BRUNO        |
| 39.870.114 | 1063   | AGRIFULL           |
|            |        | BARALDI            |
|            |        | COMET OPERA        |
|            |        | FIAT               |
|            |        | GECOM (ICOM)       |
|            |        | PGS                |
|            |        | PICCINI            |
| 39.870.118 | 1150   | DIECI F.LLI        |
|            |        | MESSERSI           |
|            |        | PGS                |
|            |        | POLENTES           |
|            |        | VALPADANA          |
| 39.870.218 | 0200   | AZZOLINI           |
|            |        | FIORI BETONDUMPERS |
|            |        | OMAI               |
|            |        | VALENTINI          |

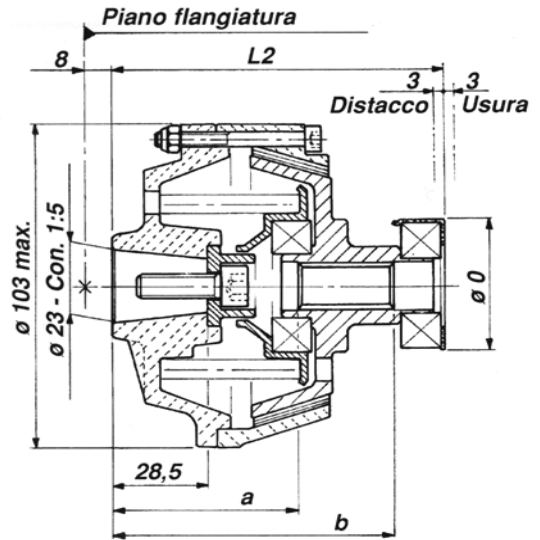
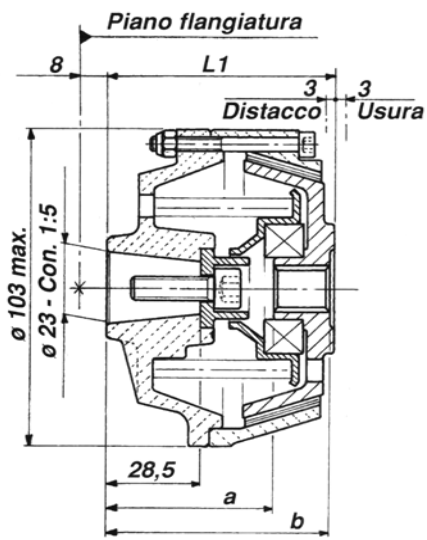


|            |      |                    |
|------------|------|--------------------|
| 39.871.118 | 0812 | BERTOLINI          |
|            |      | GOLDONI            |
| 39.873.114 | 1439 | NIBBI BRUNO        |
| 39.875.114 | 0824 | ISOTTA FRASCHINI   |
| 39.879.218 | 0192 | FIORI BETONDUMPERS |
| 39.881.118 | 0996 | FERRARI            |
| 39.883.218 | 5024 | IMER               |
| 39.885.118 | 0857 | BARBIERI           |
|            |      | GOLDONI            |
|            |      | RANDI              |
| 39.887.118 | 0977 | ADRIATICA MACCHINE |
|            |      | BERTOLINI          |
|            |      | CARON              |
|            |      | DISALCAR           |
|            |      | FERRARI            |
| 39.890.118 | 1089 | AGRIFULL           |
|            |      | DE NARDI           |
|            |      | DIECI F.LLI        |
|            |      | ITMA               |
|            |      | LANDINI            |
|            |      | NAPOLIONE          |
| 39.891.118 | 4037 | CARRARO SPA        |
| 39.892.118 | 0810 | BERZOINI           |
|            |      | COMET OPERA        |
|            |      | DIECI F.LLI        |
|            |      | AGRIFULL / FIAT    |
|            |      | GOLDONI            |
|            |      | PGS                |
| 39.892.218 | 0402 | VALPADANA          |
|            |      | AZZOLINI           |
|            |      | BREMACH            |
|            |      | GECOM (ICOM)       |
|            |      | MERLO              |
| 39.894.118 | 1086 | LAVERDA            |
| 39.898.218 | 3892 | NIBBI BRUNO        |
| 39.899.118 | 0983 | FERRARI            |
| 39.900.118 | 0784 | LAVERDA            |
| 39.901.118 | 1040 | ITMA               |
| 39.903.118 | 0990 | ITMA               |
| 39.904.118 | 1330 | COMET OPERA        |
|            |      | DIECI F.LLI        |
|            |      | GECOM (ICOM)       |
|            |      | MASSEY FERGUSON    |
|            |      | NAPIOLIONE         |
| 39.905.118 | 1210 | ARBOS              |
|            |      | COMET OPERA        |
|            |      | EUROCOSMEC         |
|            |      | FIAT               |
|            |      | ITMA               |
|            |      | LANDINI / MF       |
|            |      | MERLO              |
| PGS        |      |                    |
| 39.905.218 | 0309 | FIORI BETONDUMPERS |
|            |      | ORMIG              |
| 39.906.218 | 1059 | GECOM (ICOM)       |
| 39.907.118 | 0826 | AGRIFULL           |
| 39.909.118 | 0948 | BERZOINI           |
|            |      | DIECI F.LLI        |
| 39.909.218 | 0947 | AZZOLINI           |
|            |      | FIORI BETONDUMPERS |
| 39.910.114 | 0893 | SAME               |
| 39.914.218 | 0764 | FIAT               |
|            |      | OM                 |



|            |      |                    |
|------------|------|--------------------|
| 39.915.318 | 0473 | OM                 |
| 39.919.214 | 0898 | SAME               |
| 39.921.118 | 0804 | BENATI             |
|            |      | FORD               |
|            |      | NEW HOLLAND        |
| 39.923.118 | 1336 | AGRIFULL           |
| 39.923.118 | 3453 | LANDINI / MF       |
| 39.925.118 | 3107 | LAVERDA            |
| 39.925.119 | 3429 | LAVERDA            |
| 39.926.118 | 0931 | ARBOS              |
|            |      | EUROCOSMEC         |
|            |      | FENWICH            |
|            |      | GECOM (ICOM)       |
| 39.926.118 | 1455 | ITALO SVIZZERA     |
| 39.926.118 | 0931 | ITMA               |
| 39.926.118 | 1056 | LANDINI / MF       |
| 39.926.118 | 3641 | MERLO              |
| 39.926.129 | 2051 | BENATI             |
| 39.926.218 | 0225 | OM                 |
| 39.927.118 | 1258 | BENATI             |
| 39.929.118 | 1011 | COMET OPERA        |
| 39.933.114 | 0900 | SAME               |
| 39.937.114 | 1076 | SAME               |
| 39.937.114 | 1301 | SAME               |
| 39.941.218 | 0775 | FIAT               |
| 39.942.218 | 0734 | EUROCOSMEC         |
|            |      | FIORI BETONDUMPERS |
| 39.943.118 | 3637 | LAVERDA            |
| 39.947.118 | 1331 | BERZONI            |
| 39.950.218 | 0358 | FIAT               |
| 39.963.118 | 0814 | AGRIFULL / FIAT    |
| 39.964.118 | 0813 | AGRIFULL / FIAT    |
| 39.965.118 | 4189 | DE NARDI           |
| 39.966.118 | 3655 | DE NARDI           |
|            |      | VALPADANA          |
|            |      | DE NARDI           |
|            |      | GOLDONI            |
| 39.968.118 | 4189 | NIBBI BRUNO        |
|            |      | ADRIATICA MACCHINE |
|            |      | DISALCAR           |
| 39.969.118 | 3606 | GOLDONI            |
|            |      | ANTONELLI          |
| 39.969.218 | 0629 | ANTONELLI          |
| 39.969.218 | 0629 | DISALCAR           |
| 39.973.139 | 4196 | LAVERDA            |
| 39.980.218 | 0053 | ANTONELLI          |
| 39.983.118 | 4144 | FERRARI            |
|            |      | VALPADANA          |
| 39.985.118 | 4153 | FERRARI            |

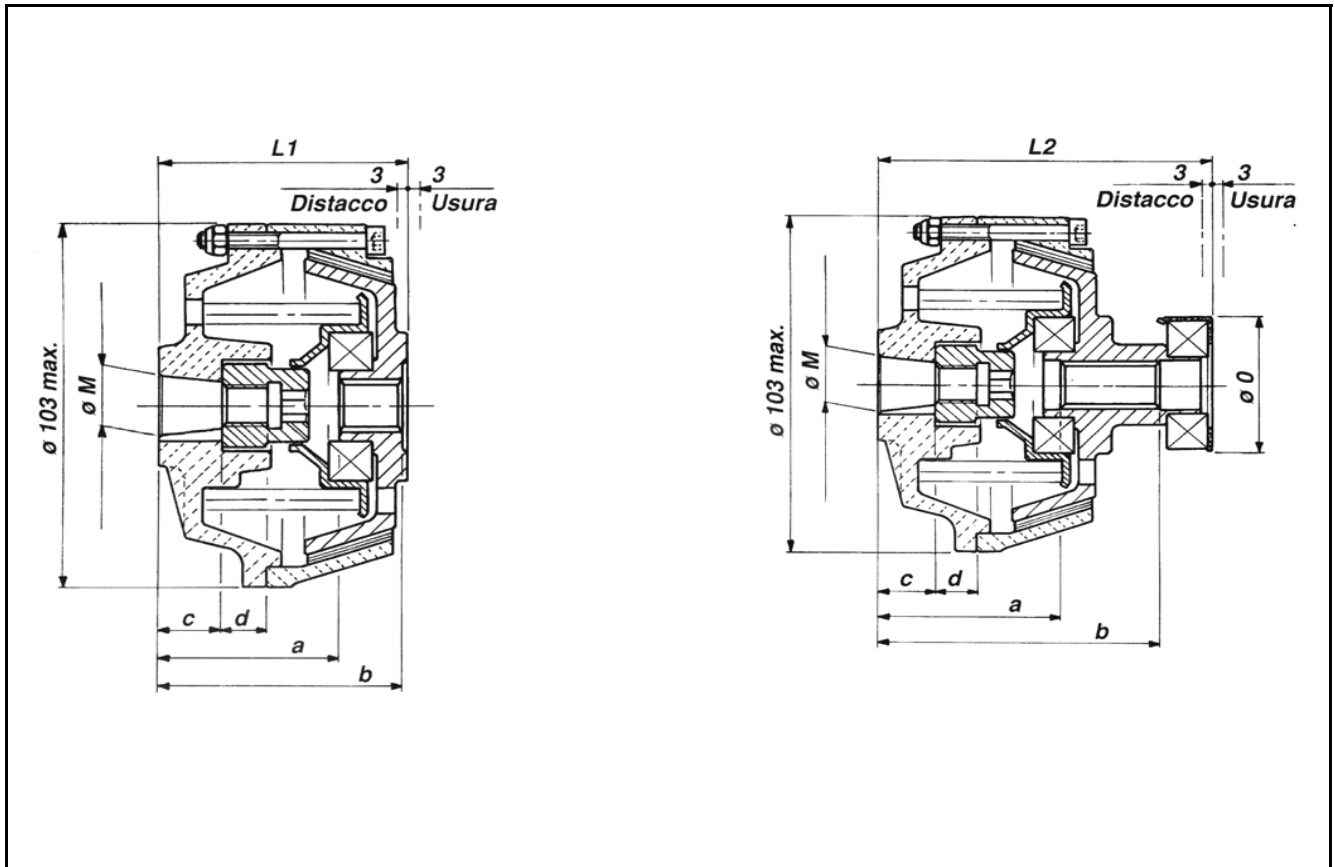
# CONICHE



Vite fissaggio TCEI - M8 x 1,25 s.t. 25

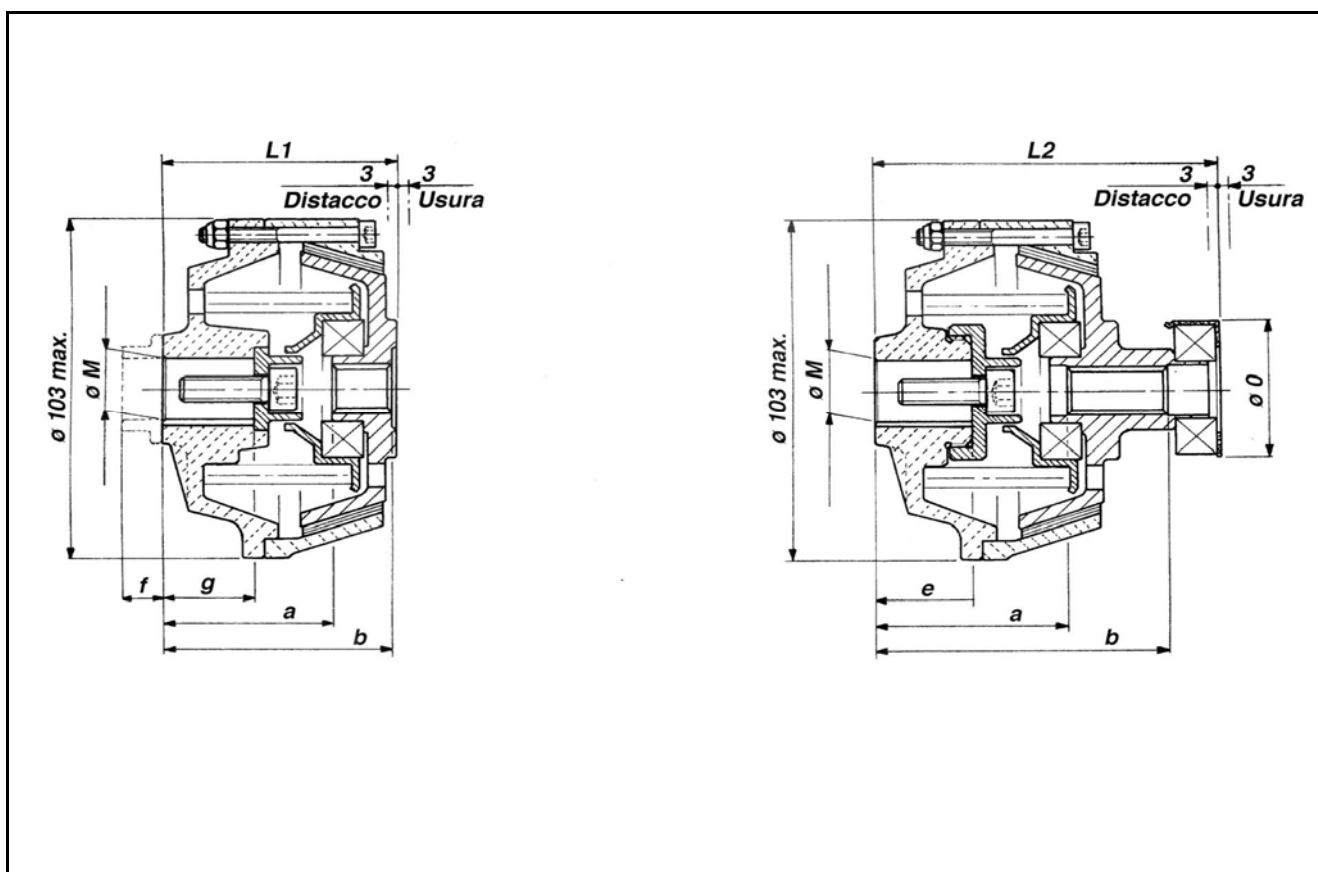
| Ns. Rif. | a<br>mm. | b<br>mm. | L1<br>mm. | L2<br>mm.  | Ø 0<br>mm. | Brocciatura tipo |
|----------|----------|----------|-----------|------------|------------|------------------|
| C 001    | 51,5     | 97,5     |           | 100        | 40         | A                |
| C 003    | 51,5     | 97,5     |           | 98,5       | 40         | A                |
| C 004    | 51,5     | 67,5     | 68,5      |            |            | A                |
| C 005    | 51,5     | 82,5     |           | 84.5/73.5  | 52/63      | B                |
| C 006    | 51,5     | 80,2     |           | 82,5       | 40         | C                |
| C 007    | 51,5     | 78,5     |           | 78,5       | 42         | A                |
| C 011    | 51,5     | 97,5     |           | 98,5       | 40         | A                |
| C 013    | 73,5     | 87,5     |           | 89,5       | 40         | C                |
| C 014    | 78,5     | 94,5     |           | 105.5/98.5 |            | B                |
| C 015    | 51,5     | 87,5     |           | 88,5       | 40         | A                |
| C 016    | 51,5     | 78,5     |           | 85,5       | 42         | A                |
| C 018    | 51,5     | 85,5     |           | 86,5       | 40         | A                |
| C 019    | 51,5     | 94,5     |           | 79,5       | 45         | A                |
| C 021    | 51,5     | 85,5     |           | 87         | 40         | A                |
| C 022    | 51,5     | 90       |           | 100        | 40         | A                |
| C 024    | 67       | 96       |           | 100        | 40         | A                |

# CONICHE



| Ns. Rif. | $\varnothing M$<br>mm. | Cono | Chiavetta<br>mm. | Filetto | a<br>mm. | b<br>mm. | c<br>mm. | d<br>mm. | L1<br>mm. | L2<br>mm. | $\varnothing 0$<br>mm. | Brocc.<br>tipo |
|----------|------------------------|------|------------------|---------|----------|----------|----------|----------|-----------|-----------|------------------------|----------------|
| C 008    | 16,7                   | 1:5  | 4                | 12x1,25 | 49       | 75       | 16       | 13       |           | 79        | 42                     | A              |
| C 009    | 16,7                   | 1:5  | 4                | 12x1,25 | 49       | 95       | 16       | 13       |           | 96        | 40                     | A              |
| C 010    | 23                     | 1:5  | 8                | 16x1,5  | 51,5     | 77,5     | 25       | 12       | 68,5      | 10        | 40                     | A              |

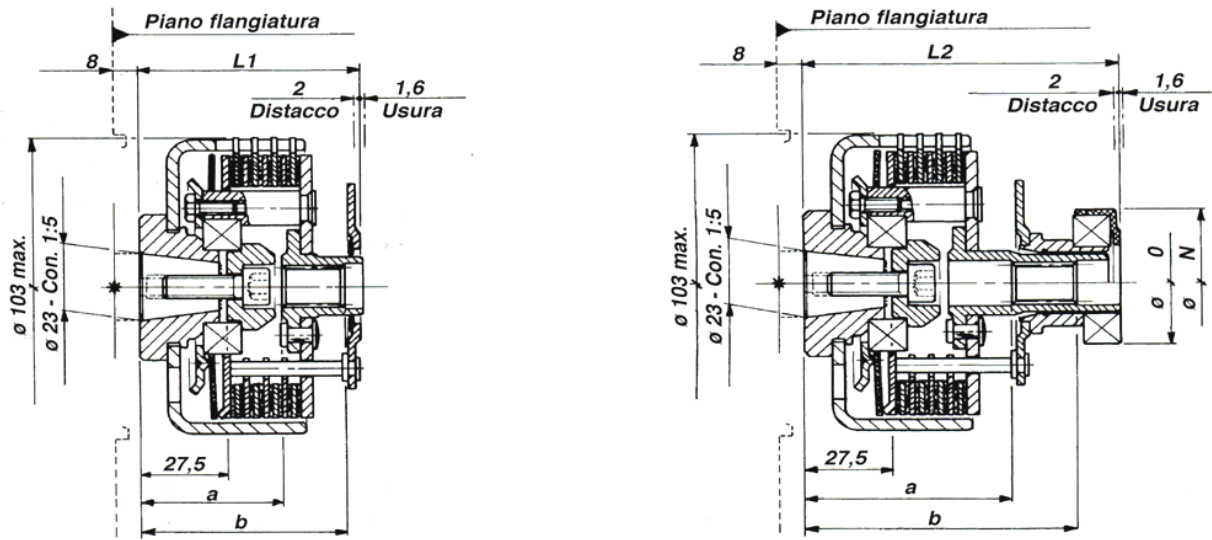
## CONICHE



| Ns. Rif.     | Ø M<br>mm. | Chiavetta<br>mm. | Filetto    | a<br>mm. | b<br>mm. | c<br>mm. | e<br>mm. | f<br>mm. | g<br>mm. | L1<br>mm. | L2<br>mm. | Ø 0<br>mm. | Brocc.<br>tipo |
|--------------|------------|------------------|------------|----------|----------|----------|----------|----------|----------|-----------|-----------|------------|----------------|
| <b>C 020</b> | 19,05      | 4,76             | 5/16" - 24 | 49       | 82       |          |          | 33,5     | 26       |           | 84,5      | 42         | A              |
| <b>C 023</b> | 19,05      | 4,76             | 5/16" - 24 | 49       | 75       |          |          | 33,5     | 26       |           | 76,5      | 42         | A              |

| <b>BROCCIATURE</b> |         |            |              |        |
|--------------------|---------|------------|--------------|--------|
| <b>A</b>           | 15x12   | DIN 5482   | Evolvente    | 8 cave |
| <b>B</b>           | 17x14   | DIN 5482   | Evolvente    | 9 cave |
| <b>C</b>           | 14x11x3 | 11 UNI 222 | Denti dritti | 6 cave |
| <b>D</b>           | 20x16x4 | 16 UNI 222 | Denti dritti | 6 cave |

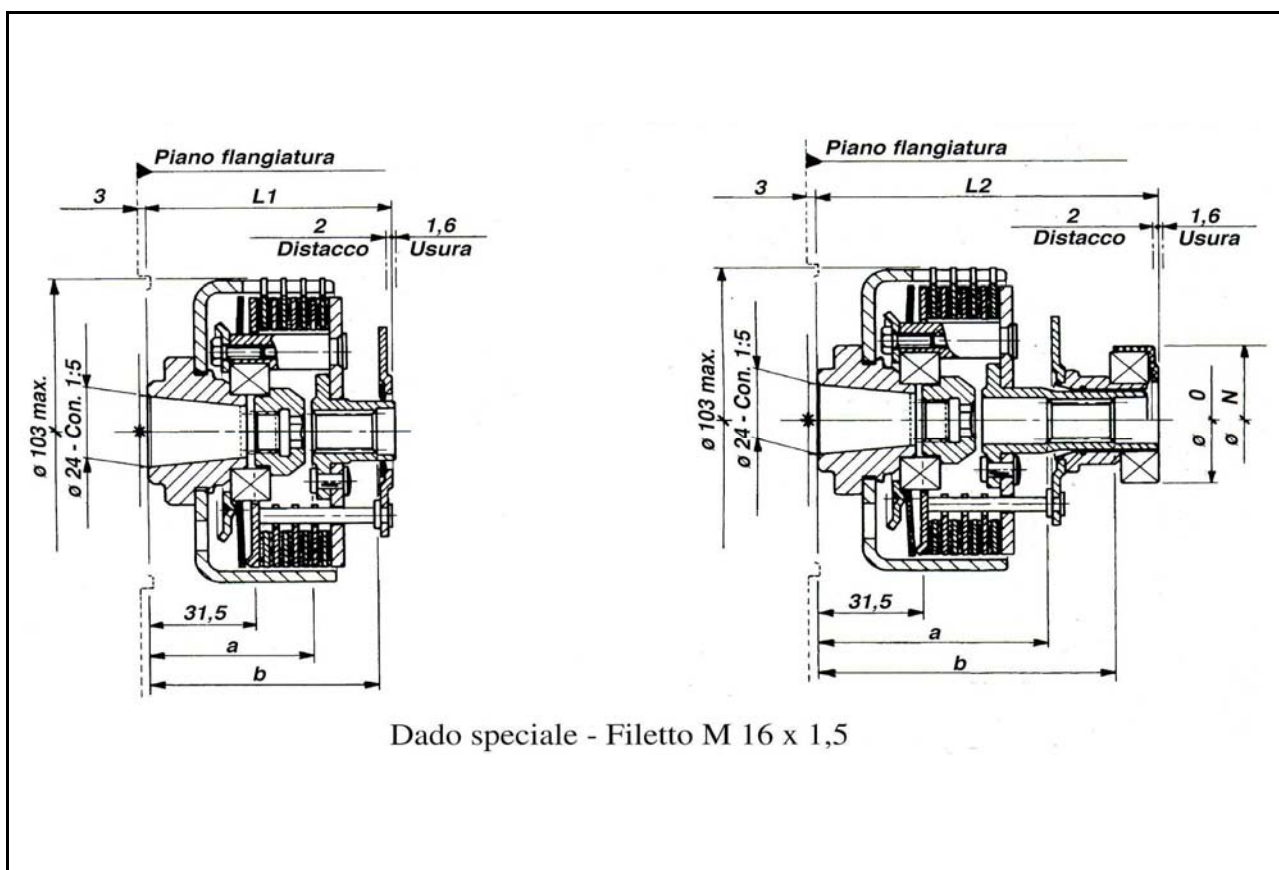
# MULTIDISCO



Vite fissaggio TCEI - M8 x 1,25 s.t. 25

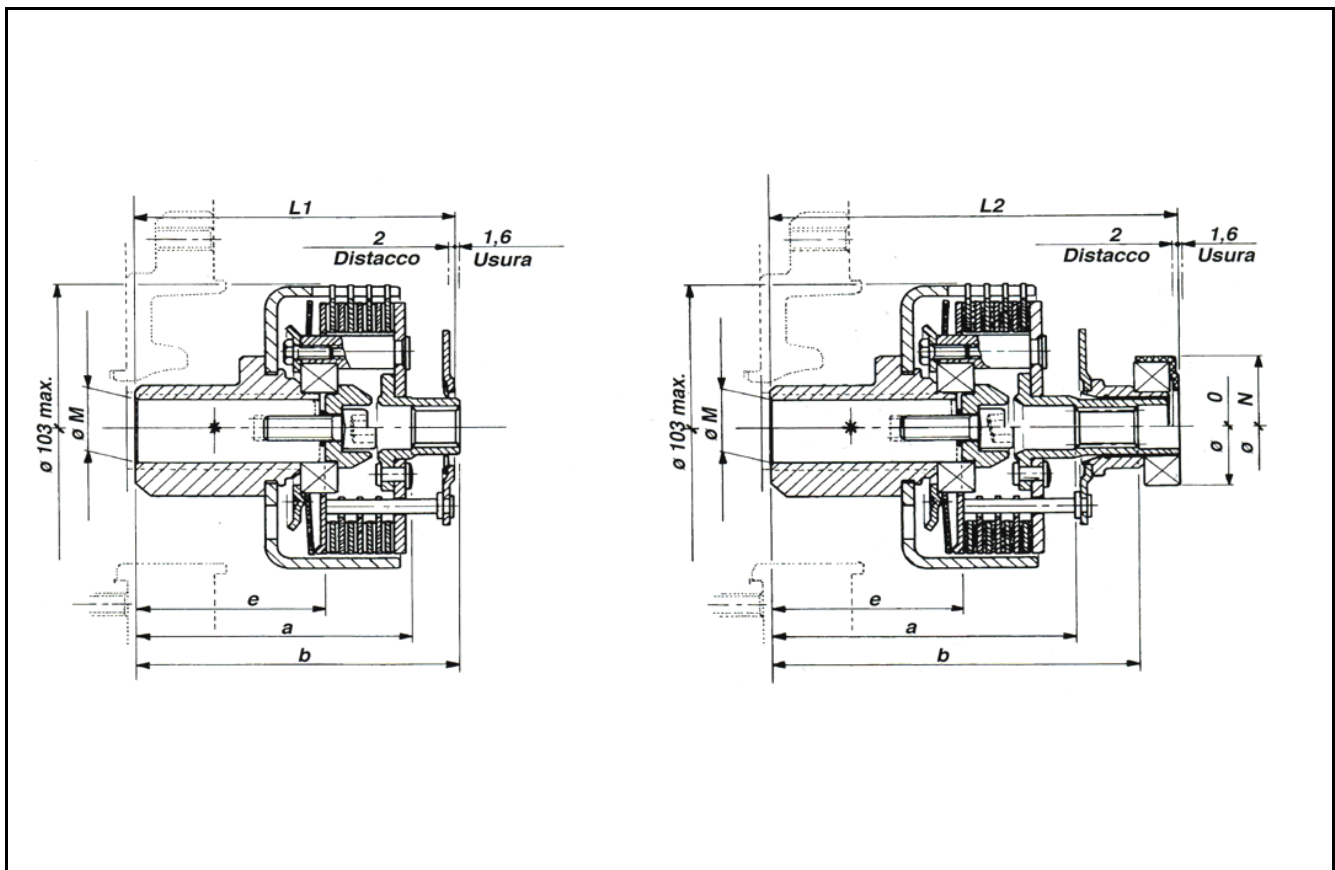
| Nr. Rif. | a<br>mm | b<br>mm | L1<br>mm | L2<br>mm | Ø 0<br>mm | Ø N<br>mm | Numero<br>Dischi | Brocciatura   |
|----------|---------|---------|----------|----------|-----------|-----------|------------------|---------------|
| MD 00101 | 65      | 85      |          | 99       |           | 51        | 4                | A             |
| MD 00102 | 58      | 78      |          | 90       | 40        |           | 4                | C             |
| MD 00104 | 45      | 65      | 70,5     |          |           |           | 4                | A             |
| MD 00105 | 53      | 73      |          | 87       |           | 51        | 4                | A             |
| MD 00106 | 65      | 85      |          | 99       |           | 51        | 5                | A             |
| MD 00107 | 53      | 73      |          | 87       |           | 51        | 4                | A             |
| MD 00109 | 53      | 86      |          | 89       | 47        |           | 4                | D             |
| MD 00119 | 45      | 65      | 70,5     |          |           |           | 4                | A             |
| MD 00120 | 46      | 64      | 68       |          |           |           | 5                | A             |
| MD 00124 | 65      | 85      |          | 98,5     |           | 51        | 4                | A             |
| MD 00126 | 46      | 64      | 68       |          |           |           | 5                | A vite lunga  |
| MD 00127 | 46      | 64      | 68       |          |           |           | 5                | A vite norm.. |
| MD 00129 | 72      | 92      |          | 87       |           | 51        | 4                | A             |
| MD 00130 | 55      | 87      | 93       |          |           |           | 5                | E             |
| MD 00131 | 40      | 60      | 73,5     |          |           |           | 3                | A             |

# MULTIDISCO



| Nr. Rif. | a<br>mm | b<br>mm | L1<br>mm | L2<br>mm | Ø 0<br>mm | Ø N<br>mm | Numero<br>Dischi | Brocciatura |
|----------|---------|---------|----------|----------|-----------|-----------|------------------|-------------|
| MD 00103 | 65      | 85      |          | 104      |           | 51        | 5                | A           |
| MD 00121 | 46      | 80      | 85,5     | 90       | 40        |           | 6                | A           |
| MD 00122 | 58      | 78      |          | 95       | 40        |           | 4                | A           |
| MD 00133 | 55      | 87      | 93       |          |           |           | 5                | E           |
| MD 00135 | 65      | 85      |          | 98       |           |           | 5                | A           |

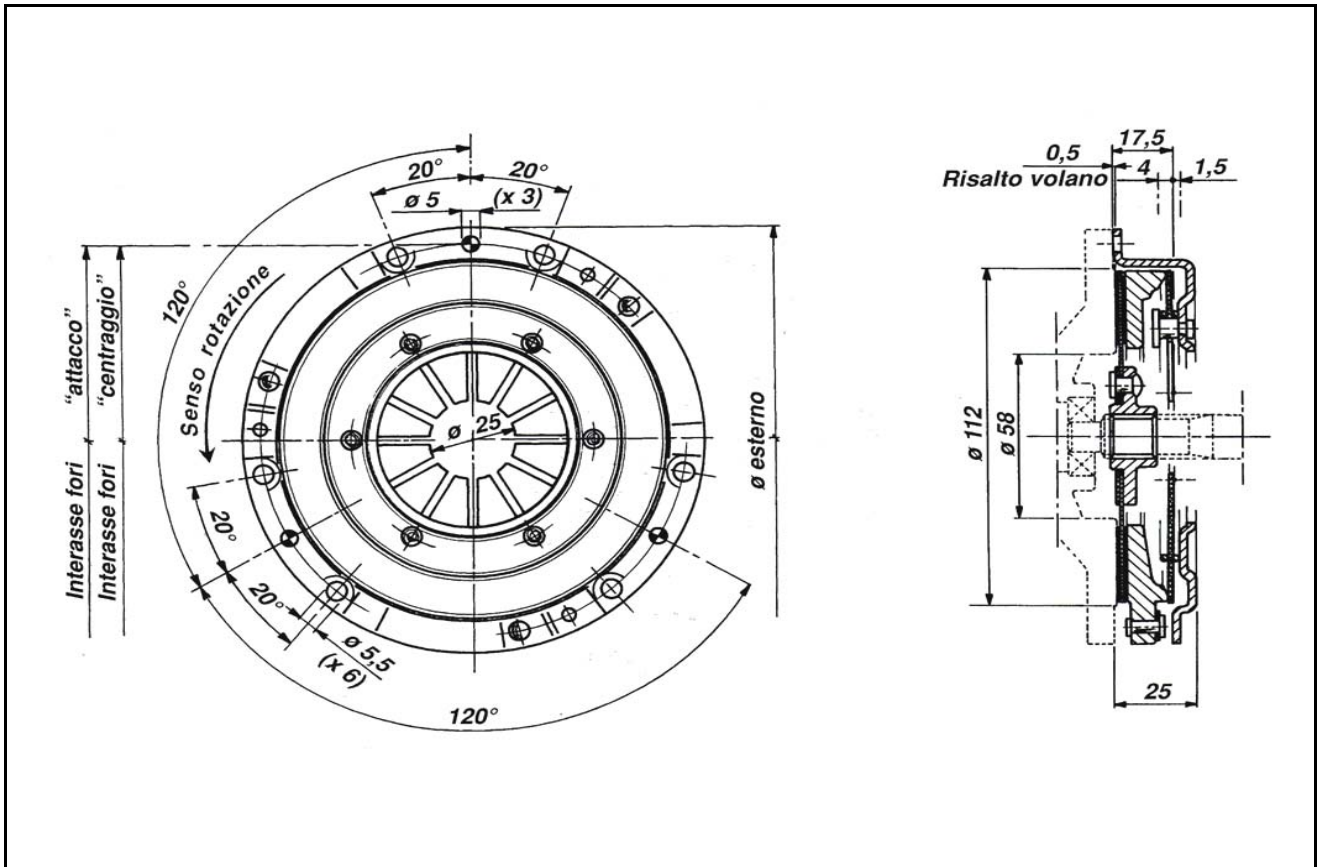
# MULTIDISCO



| Ns. Rif. | Ø M   | Chiavetta<br>mm | Filetto | a  | b   | e  | L1  | L2  | Ø 0 | Ø N | Numero<br>dischi | Brocc. Tipo |
|----------|-------|-----------------|---------|----|-----|----|-----|-----|-----|-----|------------------|-------------|
| MD 00110 | 25,4  | 6,4             | 7/16"   | 96 | 116 | 74 |     | 131 |     | 51  | 4                | A           |
| MD 00125 | 19,05 | 4,8             | 5/16"   | 79 | 97  | 60 | 101 |     |     |     | 5                | A           |

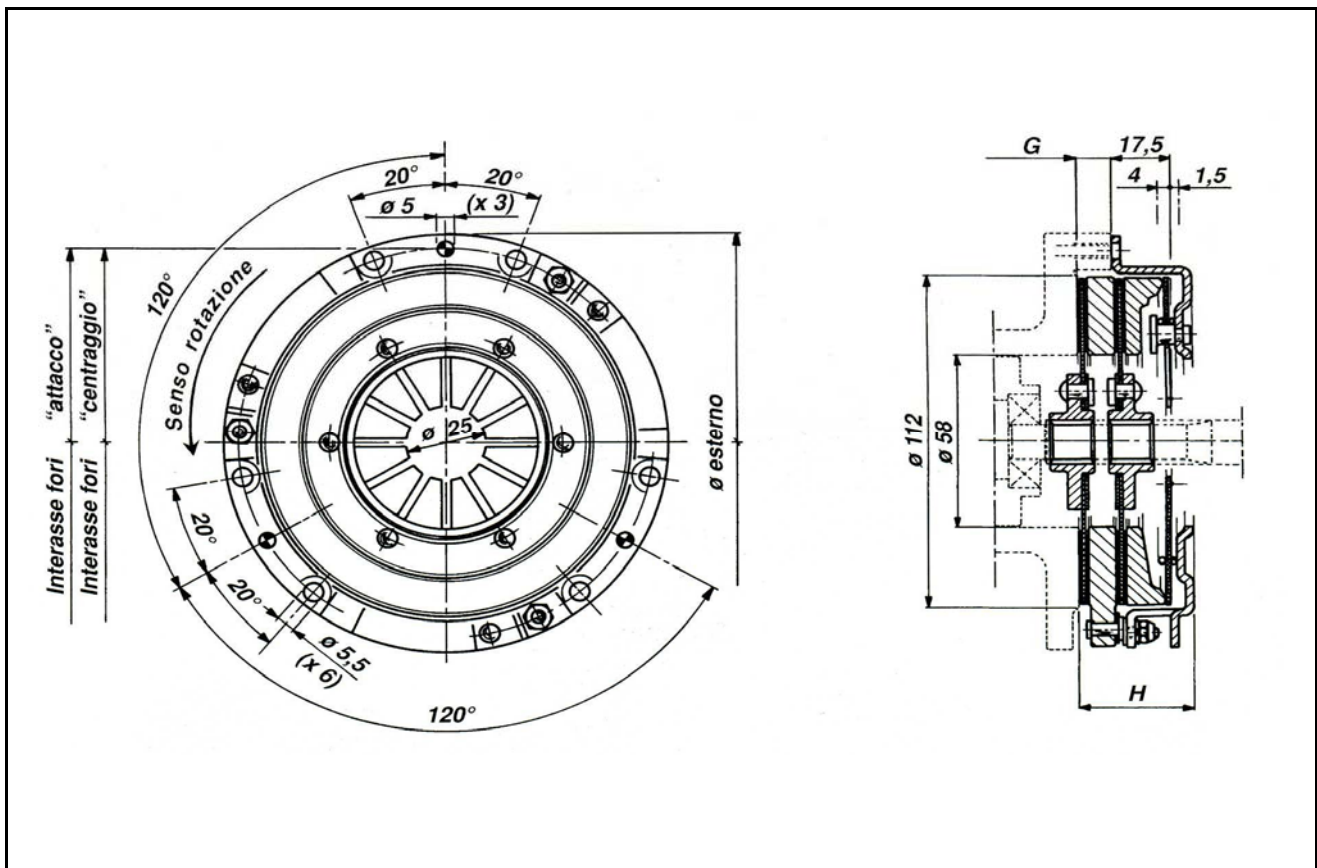
| BROCCIATURE |         |            |           |         |
|-------------|---------|------------|-----------|---------|
| A           | 15x12   | DIN 5482   | Evolvente | 8 cave  |
| B           | 17x14   | DIN 5482   | Evolvente | 9 cave  |
| C           | 14x11x3 | 11 UNI 222 | Denti     | 6 cave  |
| D           | 20x16x4 | 16 UNI 222 | Denti     | 6 cave  |
| E           | 26x21x3 | 11 UNI 223 | Denti     | 10 cave |

## MECCANISMO MONODISCO LAMELLARE



| Ns Rif.      | Diam. esterno | Interasse fori |            | Carico medio<br>Kg | Carico disinn.<br>Kg | Mt<br>kgm/Nm |
|--------------|---------------|----------------|------------|--------------------|----------------------|--------------|
|              |               | attacco        | centraggio |                    |                      |              |
| <b>ML 04</b> | 138           | 128            | 128        | 180                | 90                   | 4,3/42       |
| <b>ML 05</b> | 135           | 125            | 125        | 180                | 90                   | 4,3/42       |

## MECCANISMO FRIZIONE BIDISCO



| Ns Rif.        | Diam. esterno | Interasse fori |        | G mm | H mm | Carico medio<br>Kg | Carico disinn.<br>Kg | Mt<br>kgm/Nm |
|----------------|---------------|----------------|--------|------|------|--------------------|----------------------|--------------|
|                |               | attacco        | centr. |      |      |                    |                      |              |
| <b>BL 0051</b> | 138           | 128            | 128    | 10,5 | 35   | 180                | 90                   | 8,6/84       |
| <b>BL 0052</b> | 138           | 128            | 128    | 10,5 | 35   | 180                | 90                   | 9,6/94       |
| <b>BL 0053</b> | 138           | 128            | 128    | 16,5 | 41   | 180                | 90                   | 9,6/94       |
| <b>BL 0055</b> | 135           | 125            | 125    | 10,5 | 35   | 180                | 90                   | 8,6/84       |

## COMPOSIZIONE KIT

| <i>Kit Ref.</i> | <i>Clutch plate</i> | <i>Splines</i> | <i>Disc</i> | <i>Bearings</i> |
|-----------------|---------------------|----------------|-------------|-----------------|
| KA 0200         | FN 081              | 140/20         | 943         | CR 1130/25      |
| KA 0202         | FN 092.1            | 180/20         | 1325        | CR 850          |
| KA 0203         | FN 395              | 180/20         | 1325        | CR 850          |
| KA 0204         | FN 109              | 215/20         | 3606        | CR 850          |
| KA 0205         | FN 089              | 187/10         | 812         | CR 1139         |
| KA 0207         | FN 104              | 200/10         | 3394        |                 |
| KA 0208         | FN 107              | 215/10         | 1089        | CR 1409         |
| KA 0209         | FN 089.1            | 184/20         | 304         | CR 1139         |
| KA 0210         | FN 107              | 215/20         | 732         | CR 1139         |
| KA 0211         | FN 089              | 187/10         | 200         | CR 1139         |
| KA 0212         | FN 107              | 215/10         | 402         | CR 1409         |
| KA 0213         | FN 301              | 250/10         | 947         | CR 1302         |
| KA 0216         | FN 107.5            | 215/10         | 402         | CR 1409         |
| KA 0217         | FN 089.2            | 187/10         | 857         | CR 1139         |
| KA 0218         | FN 089.1            | 187/13         | 3607        | CR 1139         |
| KA 0219         | FN 108              | 215/13         | 3612        | CR 1139         |
| KA 0221         | FN 154.3            | 280/10         | 804         |                 |
| KA 0222         | FN 154              | 280/10         | 1241        | CR 1302         |
| KA 0223         | FN 081.1            | 140/20         | 1287        | CR 1130/25      |
| KA 0225         | FN 083              | 160/20         | 3611        | CR 850          |
| KA 0226         | FN 092.1            | 180/20         | 977         | CR 850          |
| KA 0227         | FN 092.2            | 180/20         | 977         | CR 850          |
| KA 0228         | FN 089.3            | 187/10         | 1022        | CR 1139         |
| KA 0229         | FN 109              | 215/13         | 3612        | CR 1137         |
| KA 0230         | FN 107              | 215/10         | 925         | CR 1139         |
| KA 0231         | FN 301              | 250/10         | 948         | CR 1302         |
| KA 0232         | FN 154              | 280/10         | 804         | CR 1302         |
| KA 0233         | FN 107.1            | 215/10         | 402         | CR 1139         |
| KA 0236         | FN 088              | 160/20         | 1418        | CR 1134         |
| KA 0237         | FN 088              | 160/20         | 051         | CR 1134         |
| KA 0238         | FN 092              | 180/10         | 1127        | CR 1425/33      |
| KA 0239         | FN 234              | 200/10         | 1183        | CR 1425/33      |
| KA 0240         | FN 119/1            | 215/10         | 1486        | CR 1425/36      |
| KA 0242         | FN 107              | 215/6          | 879 BIS     |                 |
| KA 0243         | FN 107              | 215/10         | 960         |                 |
| KA 0244         | FN 301              | 250/10         | 690         |                 |
| KA 0245         | FN 154              | 280/10         | 969         |                 |
| KA 0248         | FN 301              | 250/10         | 1330        | CR 1302         |
| KA 0249         | FN 301              | 250/10         | 803         | CR 1302         |
| KA 0250         | FN 154              | 280/10         | 1011        | CR 1302         |
| KA 0251         | FN 089              | 187/10         | 928         | CR 1139         |
| KA 0256         | FN 089              | 187/20         | 977         | CR 1138         |

| <b>Kit Ref.</b> | <b>Clutch plate</b> | <b>Splines</b> | <b>Disc</b>        | <b>Bearings</b> |
|-----------------|---------------------|----------------|--------------------|-----------------|
| KA 0257         | FN 089              | 187/20         | 977                | CR 1139         |
| KA 0258         | FN 107.1            | 215/20         | 3606               | CR 1141         |
| KA 0259         | FN 107              | 215/20         | 3606               | CR 1141         |
| KA 0260         | FN 301              | 250/10         | 803                | CR 1302         |
| KA 0262         | FN 089              | 187/20         | 304                | CR 1139         |
| KA 0264         | FN 081.1            | 140/20         | 1222               | CR 1130/25      |
| KA 0267         | FN 081.1            | 140/6          | 975                |                 |
| KA 0270         | FN 093              | 180/20         | 977                |                 |
| KA 0271         | FN 089.1            | 187/10         | 996                | CR 1409         |
| KA 0272         | FN 107              | 215/10         | 993 BIS            | CR 1409         |
| KA 0274         | FN 107              | 215/10         | 209                | CR 1139         |
| KA 0275         | FN 107              | 215/10         | 1068               | CR 1139         |
| KA 0277         | FN 301              | 250/10         | 308                | CR 1302         |
| KA 0279         | FN 061.1            | 160/10         | 3990               |                 |
| KA 0280         | FN 089              | 187/10         | 986                | CR 1139         |
| KA 0282         | FN 301              | 250/10         | 1247               | CR 1302         |
| KA 0283         | FN 301              | 250/10         | 309                | CR 1302         |
| KA 0285         | FN 089.2            | 187/10         | 857                | CR 1139         |
| KA 0286         | FN 089.2            | 187/10         | 857                | CR 1132         |
| KA 0287         | FN 089.3            | 187/10         | 1150               | CR 1139         |
| KA 0288         | FN 089.4            | 187/10         | 857                | CR 1139         |
| KA 0289         | FN 107.4            | 215/10         | 1333               | CR 1139         |
| KA 0290         | FN 089.1            | 187/10         | 1063               | CR 1139         |
| KA 0290         | FN 089.1            | 187/10         | 1063               | CR 1139         |
| KA 0291         | FN 107              | 215/10         | 1235               | CR 1139         |
| KA 0292         | FN 154              | 280/10         | 931                | CR 1302         |
| KA 0294         | FN 089              | 187/13         | 3633               | CR 1139         |
| KA 0295         | FN 061.1            | 160/10         | 1145               |                 |
| KA 0296         | FN 089.1            | 187/10         | 1334               | CR 1138         |
| KA 0300         | FN 154.2            | 280/10         | 804                |                 |
| KA 0301         | FN 107.6            | 215/10         | 209                | CR 1138         |
| KA 0302         | FN 107.2            | 215/10         | 1089               | CR 1409         |
| KA 0304         | FN 154.1            | 280/10         | 804                |                 |
| KA 0306         | FN 107.3            | 215/10         | 1086               | CR 1409         |
| KA 0308         | FN 301              | 250/10         | 979                |                 |
| KA 0309         | FN 107              | 215/10         | 1257               | CR 1139         |
| KA 0310         | FN 154              | 280/10         | 3641               | CR 1302         |
| KA 0312         | FN 107.6            | 215/10         | 1089               | CR 1409         |
| KA 0313         | FN 301              | 250/10         | 3643               | CR 1302         |
| KA 0314         | FN 089              | 187/15         | 1439               | CR 1139         |
| KA 0315         | FN 108              | 215/15         | 3644 disco rigido  | CR 1139         |
| KA 0315         | FN 108              | 215/15         | 3892 disco a molle | CR 1139         |
| KA 0317         | FN 109              | 215/20         | 732                |                 |
| KA 0318         | FN 061              | 160/10         | 1030               | CR 1130/25      |
| KA 0319         | P/18                | 180/10         | 980                | CR 1413         |
| KA 0320         | P/19                | 190/10         | 1139               | CR 1413         |

| <b>Kit Ref.</b> | <b>Clutch plate</b> | <b>Splines</b> | <b>Disc</b> | <b>Bearings</b> |
|-----------------|---------------------|----------------|-------------|-----------------|
| KA 0322         | FN 061.1            | 160/10         | 858         |                 |
| KA 0323         | FN 089.3            | 187/10         | 1063        | CR 1139         |
| KA 0324         | FN 089              | 187/10         | 1063        | CR 1139         |
| KA 0326         | FN 107.2            | 215/10         | 925         | CR 1139         |
| KA 0327         | FN 301              | 250/10         | 958         | CR 1302         |
| KA 0329         | FN 089.2            | 187/10         | 1063        | CR 1139         |
| KA 0330         | FN 081              | 140/6          | 1346        | CR 1130         |
| KA 0331         | FN 083              | 155/6          | 1345        | CR 1130         |
| KA 0332         | FN107.6             | 215/10         | 925         | CR 1138         |
| KA 0333         | FN 089.1            | 187/10         | 1150        | CR 1139         |
| KA 0335         | FN 089              | 187/10         | 857         | CR 1138         |
| KA 0338         | FN 107.2            | 215/10         | 402         | CR 1139         |
| KA 0341         | FN 107.2            | 215/10         | 1062        | CR 1139         |
| KA 0342         | FN 083              | 160/10         | 3835        | CR 1130         |
| KA 0343         | FN 082              | 155/10         | 1028        | CR 1130/25      |
| KA 0344         | FN 092.3            | 180/13         | 3610        |                 |
| KA 0345         | FN 1603             | 160/20         | 1418        | CR 857          |
| KA 0346         | FN 1603             | 160/10         | 3626        | CR 857          |
| KA 0347         | FN 1603/1           | 160/6          | 935         | CR 857          |
| KA 0348         | FN 1603/1           | 160/10         | 1064        | CR 1133         |
| KA 0349         | FN 107              | 215/10         | 1089        |                 |
| KA 0350         | FN 1603/1           | 155/6          | 1345        | CR 857          |
| KA 0351         | FN 061              | 160/10         | 1017        | CR 1130/25      |
| KA 0352         | 3018                | 170/20         | 4187        | CR 1106         |
| KA 0353         | FN 380              | 250/18         | 4045        | CR 1426/38      |
| KA 0354         | FN 119/1            | 215/18         | 4047        | CR 1425/36      |
| KA 0355         | M 3450              | 228/17         | 4297        | N.D.            |
| KA 0356         | FN 093              | 180/20         | 2629        | CR 1134         |
| KA 0357         | FN1603              | 160/10         | 1224        | CR 857          |
| KA 0358         | FN 083              | 160/20         | 1418        | CR 850          |
| KA 0359         | FN 1603/1           | 160/20         | 1418        | CR 857          |
| KA 0360         | FN 1602             | 160/10         | 1030        |                 |
| KA 0361         | FN 234              | 200/18         | 5003        |                 |
| KA 0362         | FN 088              | 160/20         | 4186        | CR 850          |

novità della nuova edizione



## CONDIZIONI GENERALI DI VENDITA

I prezzi del listino si intendono franco partenza, non sono impegnativi e possono variare senza preavviso.

L'imballo è a carico dell'Acquirente.

In qualunque caso la merce viaggia a rischio e pericolo del Committente.

I nostri prodotti sono garantiti, esenti, da difetti di qualità e confezione; come d'uso la garanzia è limitata alla sostituzione del pezzo da noi riconosciuto difettoso e purché resoci franco di spesa.

Per essere valido qualsiasi reclamo deve pervenirci nel termine di otto giorni dal ricevimento della merce e non dà, in ogni caso, il diritto all'Acquirente di trattenere importi dovuti per altre partite scadute.

Saranno ritenuti validi unicamente i pagamenti effettuati direttamente alla nostra Amministrazione.

Per qualsiasi controversia è competente il Foro di Casale Monferrato (AL).

Con il conferimento dell'ordine le condizioni sopra specificate si intendono integralmente accettate, senza alcuna riserva, da parte dell'Acquirente.

**Le denominazioni ed i riferimenti originali citati in questo catalogo sono esposti a puro titolo indicativo; decliniamo, pertanto, ogni responsabilità per eventuali inesattezze dovute all'informazione o alla stampa.**

**I ricambi S.A.F.F.A. non sono originali, ma sono perfettamente intercambiabili con quelli originali.**

## GENERAL CONDITIONS OF SALE

*The prices showed in this catalogue are intended in Italian Lire; they aren't binding and be changed also without any anticipated advise. They are interested free Italian Border.*

*The package is at the buyer's change.*

*Goods travel, in any case for account, risk and peril of the buyer.*

*The goods are guaranteed free of defects of quality and manufacturing.*

*The guarantee is limited for the replacement of the articles we admit with defects. The articles must be to returned free of charge.*

*No claim on the quality or quantity of the supply will be admitted unless the buyer confirms the claim in writing within 8 days since the receipt of the goods.*

*In every case the buyer cannot exempt himself from the payment of the corresponding invoice.*

*Payments will be considered as valid only if they are effected directly on the whole amount of the invoices.*

*For every law suit the only competent forum in the Law Court of Casale Monferrato (AL).*

*With the order the buyer accept, in full, the general conditions of sale.*

***The applications and original references indicated in this catalogue are for information; we decline responsibility for errors of information or of print.***

***S.A.F.F.A. spare parts aren't original spare parts, but they are perfectly changeable with the original ones.***